

Automorphism loci for degree 3 and degree 4 endomorphisms of the projective line

Brandon Gontmacher, Benjamin Hutz,
Grayson Jorgenson, Srinjoy Srimani and Simon Xu

ABSTRACT. Let f be an endomorphism of the projective line. There is a natural conjugation action on the space of such morphisms by elements of the projective linear group. The group of automorphisms, or stabilizer group, of a given f for this action is known to be a finite group. We determine explicit families that parameterize all endomorphisms defined over $\overline{\mathbb{Q}}$ of degree 3 and degree 4 that have a nontrivial automorphism, the *automorphism locus* of the moduli space of dynamical systems. We analyze the geometry of these loci in the appropriate moduli space of dynamical systems. Further, for each family of maps, we study the possible structures of \mathbb{Q} -rational preperiodic points which occur under specialization.

CONTENTS

1. Introduction	1614
2. Automorphism loci in \mathcal{M}_3	1621
3. Geometry of certain automorphism loci in \mathcal{M}_3	1629
4. Automorphism loci in \mathcal{M}_4	1639
5. Geometry of certain automorphism loci in \mathcal{M}_4	1642
6. Rational Preperiodic Structures in \mathcal{M}_3	1650
7. Rational Preperiodic Structures in \mathcal{M}_4	1682
8. Concluding Remarks	1699
References	1699

Received August 10, 2020.

2010 *Mathematics Subject Classification.* 37P45, 37P05, 37P15.

Key words and phrases. dynamical system, automorphism group, moduli space, preperiodic points.

The authors thank the Institute for Computational and Experimental Research in Mathematics which oversaw the REU during the summer of 2019, where the majority of this project was completed. Also the Brown Center for Computation and Visualization which provided computational resources for some of the computations. Several other individuals provide helpful discussions and expertise on various specific rational points problems in this paper: Brendan Hassett, Michael Stoll, Andrew Sutherland, Jan Tuitman, Jennifer Balakrishnan, and an anonymous referee.

1. Introduction

Let K be a field and \mathbb{P}^1 the projective line. Throughout, K is a finite extension of \mathbb{Q} . An endomorphism of \mathbb{P}^1 of degree d can be represented as a pair of homogeneous polynomials of degree d with no common factors. The space of all such maps is denoted as Rat_d . There is a natural conjugation action on Rat_d by PGL_2 , the automorphisms of \mathbb{P}^1 , given as

$$f^\alpha := \alpha^{-1} \circ f \circ \alpha \quad \text{for } f \in \text{Rat}_d \text{ and } \alpha \in \text{PGL}_2.$$

The quotient by this action is a geometric quotient in terms of geometric invariant theory and forms the moduli space of degree d dynamical systems on \mathbb{P}^1 , $\mathcal{M}_d := \text{Rat}_d / \text{PGL}_2$ [Sil98]. We denote a conjugacy class as $[f] \in \mathcal{M}_d$ and a representation of a conjugacy class as $f \in \text{Rat}_d$. Our primary objects of study are those conjugacy classes $[f] \in \mathcal{M}_d$ for which there is a nontrivial $\alpha \in \text{PGL}_2$ so that $f^\alpha = f$. Such an α is called an *automorphism* of f , and the set of all such automorphisms forms a group

$$\text{Aut}(f) := \{\alpha \in \text{PGL}_2 : f^\alpha = f\}.$$

In addition to being special from the existence of these extra symmetries, conjugacy classes with nontrivial automorphisms are exactly the singular points of the moduli space \mathcal{M}_d for $d \geq 3$ [MSW14].

Since every automorphism must leave certain sets of points invariant (such as the set of periodic points of a given period), the automorphism group of a given f must be a finite subgroup of PGL_2 . Sharper bounds than this permutation bound on the size of an automorphism group in terms of d can be obtained but do not concern us here [Lev11]. Key to this work is the (classical) classification in characteristic zero of the finite subgroups of PGL_2 restated in modern notation by Silverman [Sil95].

It is important to note that $\text{Aut}(f)$ is well defined on conjugacy classes. In particular, given $\alpha \in \text{PGL}_2$, the action on $\text{Aut}(f)$ defined by $\sigma \mapsto \alpha^{-1} \circ \sigma \circ \alpha$ provides a group isomorphism $\text{Aut}(f) \cong \text{Aut}(f^\alpha)$. The conjugacy class of $\text{Aut}(f)$ in PGL_2 is, thus, an invariant of $[f]$ rather than just f . Denote by $\mathcal{A}_d \subset \mathcal{M}_d$ the set of all conjugacy classes with a nontrivial automorphism. Let $\Gamma \subset \text{PGL}_2$ be a finite subgroup with representation $\rho : \Gamma \rightarrow \text{SL}_2$. Denote the set of conjugacy classes whose automorphism group contains a subgroup isomorphic to Γ by $\mathcal{A}_d(\Gamma)$. Similarly denote $A_d \subset \text{Rat}_d$ as the set of rational maps with nontrivial automorphism group with $\rho(\Gamma)$ as a subgroup, i.e., $A_d(\Gamma) = \{f \in A_d : \text{Aut}(f) \supseteq \rho(\Gamma)\}$. It is important to note that while every finite subgroup of PGL_2 has only one inequivalent representation, the choice of group representation affects the representation in homogeneous coordinates of the map. In particular, questions about the field of definition for elements of $A_d(\Gamma)$ are heavily dependent on the choice of representation of Γ , e.g., [dFH15, Sil95].

The goals of this work are two-fold. The first is to give explicit parameterizations for all maps in \mathcal{A}_d for $3 \leq d \leq 4$. The case $d = 2$ is well known [FN07]. The case $d = 3$ can be derived from the unpublished work of West [Wes14],

but he focuses on the parameterizations of \mathcal{M}_3 as a whole and a side result is the ability to determine which elements lie in \mathcal{A}_3 . However, it is nontrivial to move between West’s parameterization of \mathcal{M}_3 and elements of Rat_3 . Further, his methods are not easily applicable in degree $d > 3$. The methods here can be used for any degree, and we produce explicit families in Rat_3 and Rat_4 , (\mathcal{M}_3 and \mathcal{M}_4). The second goal is to study other arithmetical dynamical properties of these families with nontrivial automorphisms focusing on the structure of the set of rational preperiodic points. The motivation for this portion is the uniform boundedness conjecture of Morton and Silverman.

Conjecture 1.1 ([MS94]). Fix integers $d \geq 2$, $N \geq 1$, and $D \geq 1$. There is a constant $C(d, N, D)$ such that for all number fields K/\mathbb{Q} of degree at most D and all morphisms $f : \mathbb{P}^N \rightarrow \mathbb{P}^N$ of degree d defined over K ,

$$\# \text{PrePer}(f, K) \leq C(d, N, D),$$

where $\text{PrePer}(f, K)$ is the set of preperiodic points for f defined over K .

This conjecture is equivalent to a uniform bound on the number of K -rational preperiodic graph structures, where the vertices are K -rational preperiodic points and edges connect a point Q to its forward image $f(Q)$ [DS18]. While an unconditional bound remains out of reach, we use Poonen [Pon98] and Manes [Man08] as our model and classify graph structures assuming an upper bound on the period of a rational periodic point.

We now give a summary of the main results and an outline of the article. Section 2 gives parameterizations of the automorphism locus $\mathcal{A}_3 \subset \mathcal{M}_3$. The classification of finite subgroups of PGL_2 is given in modern notation in Silverman [Sil95]:

- Cyclic group of order n , denoted as C_n .
- Dihedral group of order $2n$, denoted as D_n .
- Tetrahedral group \mathfrak{A}_4 (or alternating group on 4 elements).
- Octahedral group S_4 (or symmetric group on 4 elements).
- Icosahedral group \mathfrak{A}_5 (or alternating group on 5 elements).

Combining this classification with the already known dimensions of $\mathcal{A}_3(\Gamma)$ from Miasnikov-Stout-Williams [MSW14], we find families in the parameter space Rat_3 that map finite-to-one onto families in \mathcal{M}_3 of the appropriate dimension.

Theorem 1.2.

- (1) The locus $\mathcal{A}_3(C_4) = \mathcal{A}_3(D_4)$ is a single conjugacy class in \mathcal{M}_3 given by $f(z) = \frac{1}{z^3}$. (Corollary 2.3).
- (2) The locus $\mathcal{A}_3(\mathfrak{A}_4)$ is a single conjugacy class in \mathcal{M}_3 given by $f(z) = \frac{z^3-3}{-3z^2}$. This single conjugacy class is exactly the intersection of $\mathcal{A}_3(C_2)$ and $\mathcal{A}_3(C_3)$ (Proposition 2.9).
- (3) The locus $\mathcal{A}_3(C_3)$ is an irreducible curve in \mathcal{M}_3 given by $f_a(z) = \frac{z^3+a}{az^2}$, $a \neq 0$ (Proposition 2.5).

(4) The locus $\mathcal{A}_3(D_2)$ consists of two irreducible curves given by

$$f_a(z) = \frac{az^2 + 1}{z^3 + az}, a \neq \pm 1 \quad \text{and} \quad g_a(z) = \frac{az^2 - 1}{z^3 - az}, a \neq \pm 1,$$

which intersect at the single point $\mathcal{A}_3(D_4) = \mathcal{A}_3(C_4)$ (Proposition 2.6).

(5) The locus $\mathcal{A}_3(C_2)$ is the union of two irreducible surfaces given by

$$f_{a,b}(z) = \frac{z^3 + az}{bz^2 + 1}, ab \neq 1 \quad \text{and} \quad g_{a,b}(z) = \frac{az^2 + 1}{z^3 + bz}, ab \neq 1$$

which intersect in a curve that is the f_a component of $\mathcal{A}_3(D_2)$ (Proposition 2.7).

The methods are a combination of invariant theory as utilized in deFaria-Hutz [dFH15], explicit forms for maps with cyclic or dihedral automorphism groups from Silverman [Sil95], and explicit calculation using the generators of the finite subgroups.

In the process of studying \mathcal{A}_3 , we were able to complete the rational realization problem over \mathbb{Q} started in [dFH18].

Theorem 1.3. Every finite subgroup of PGL_2 can be realized as the automorphism group of a rational map defined over \mathbb{Q} .

Section 3 studies these parameterizations as families in moduli space giving explicit maps to sets of periodic point multiplier invariants that are finite-to-one. To construct the multiplier invariants, recall that to each fixed point Q we can compute an algebraic number called the multiplier $\lambda_Q = \tilde{f}'(Q)$, where \tilde{f} is a dehomogenization and $'$ represents the derivative. The multiplier is conjugation invariant and the set of fixed points is invariant (as a set) under conjugation. So, taking the elementary symmetric polynomials evaluated on the set of multipliers produces invariants of the moduli space [Sil98]. We can similarly construct invariants from the set of periodic points (or formal periodic points) of any period. We denote these invariants $\sigma_i^{(n)}$, where n denotes the period of the points used and $1 \leq i \leq (\deg(f))^n + 1$. These invariants were first studied by Milnor [Mil93] to construct an isomorphism $\mathcal{M}_2 \cong \mathbb{A}^2$. In higher degrees, we no longer get an isomorphism to an affine space, but utilizing enough multiplier invariants does produce a finite-to-one map producing a mapping of \mathcal{M}_3 into affine space [Mcm87]. We can then examine the image of $\mathcal{A}_3(\Gamma)$ as a variety in this affine space. In all families but one component of $\mathcal{A}_3(D_2)$, using the fixed points multipliers is sufficient; in that component, the multiplier invariants of the 2-periodic points are needed. Theorem 1.4 summarizes the embeddings of the families $\mathcal{A}_3(\Gamma)$ into the moduli space \mathcal{M}_3 and the geometric results on $\mathcal{A}_3(\Gamma)$. The details of the embeddings into affine space via the multiplier invariants that are used to analyze the geometry can be found within the referenced propositions.

Theorem 1.4.

(1) The map

$$\mathbb{A}^1 \setminus \{0\} \rightarrow \mathcal{M}_3, a \mapsto \left[\frac{z^3 + a}{az^2} \right]$$

is one-to-one. The locus $\mathcal{A}_3(C_3)$ is an irreducible curve of genus zero with one singular point corresponding to $\mathcal{A}_3(\mathfrak{A}_4)$. (Proposition 3.1)

(2) The map

$$\mathbb{A}^1 \setminus \{\pm 1\} \rightarrow \mathcal{M}_3, a \mapsto \left[\frac{az^2 + 1}{z^3 + az} \right]$$

is two-to-one. This component of $\mathcal{A}_3(D_2)$ is a smooth irreducible curve of genus zero. (Proposition 3.2)

(3) The map

$$\mathbb{A}^1 \setminus \{\pm 1\} \rightarrow \mathcal{M}_3, a \mapsto \left[\frac{az^2 - 1}{z^3 - az} \right]$$

is six-to-one. This component of $\mathcal{A}_3(D_2)$ described by the image is a smooth irreducible curve of genus zero. (Lemma 3.3, Proposition 3.4)

(4) The map

$$\mathbb{A}^2 \setminus \{ab = 1\} \rightarrow \mathcal{M}_3, (a, b) \mapsto \left[\frac{z^3 + az}{bz^2 + 1} \right]$$

is two-to-one. This component of $\mathcal{A}_3(C_2)$ is an irreducible rational singular surface. (Proposition 3.6)

(5) The map

$$\mathbb{A}^2 \setminus \{ab = 1\} \rightarrow \mathcal{M}_3, (a, b) \mapsto \left[\frac{az^2 + 1}{z^3 + bz} \right]$$

is four-to-one. This component of $\mathcal{A}_3(C_2)$ is an irreducible singular surface. (Lemma 3.8, Proposition 3.9)

Section 4 gives parameterizations of the automorphism locus $\mathcal{A}_4 \subset \mathcal{M}_4$. The methods are similar to Section 2.

Theorem 1.5.

(1) The locus $\mathcal{A}_4(C_5) = \mathcal{A}_4(D_5)$ is the single conjugacy class given by $f(z) = \frac{1}{z^4}$. (Proposition 4.2)

(2) The locus $\mathcal{A}_4(C_4)$ is an irreducible curve in \mathcal{M}_4 given by the 1-parameter family $f_k(z) = \frac{z^4 + 1}{kz^3}$ for $k \neq 0$. (Proposition 4.3)

(3) The locus $\mathcal{A}_4(D_3)$ is an irreducible curve in \mathcal{M}_4 given by the family $f_k(z) = \frac{z^4 + kz}{kz^3 + 1}$ for $k \neq \pm 1$. (Proposition 4.5)

(4) The locus $\mathcal{A}_4(C_3)$ is an irreducible surface in \mathcal{M}_4 given by the family $f_{k_1, k_2}(z) = \frac{z^4 + k_1 z}{k_2 z^3 + 1}$ for $k_1 k_2 \neq 1$. (Proposition 4.4)

(5) The locus $\mathcal{A}_4(C_2)$ is given by the 3-parameter family

$$f_{k_1, k_2, k_3}(z) = \frac{z^4 + k_1 z^2 + 1}{k_2 z^3 + k_3 z}$$

for $k_2^2 + k_3^2 \neq k_1 k_2 k_3$. (Proposition 4.6).

Section 5 studies these parameterizations as families in moduli space giving explicit maps to sets of periodic point multiplier invariants that are finite-to-one. In all families but $\mathcal{A}_4(C_2)$, using the fixed point multipliers is sufficient; in that family, the multiplier invariants of the formal 2-periodic points are needed. Theorem 1.6 summarizes the embeddings of the families $\mathcal{A}_4(\Gamma)$ into the moduli space \mathcal{M}_4 and the geometric results on $\mathcal{A}_4(\Gamma)$. The details of the embeddings into affine space via the multiplier invariants that are used to analyze the geometry can be found within the referenced propositions.

Theorem 1.6.

(1) The map

$$\mathbb{A}^1 \setminus \{0\} \rightarrow \mathcal{M}_4, k \mapsto \left[\frac{z^4 + 1}{kz^3} \right]$$

is one-to-one. The locus $\mathcal{A}_4(C_4)$ is an irreducible curve of genus zero with one singular point. (Lemma 5.1, Proposition 5.2)

(2) The map

$$\mathbb{A}^1 \setminus \{\pm 1\} \rightarrow \mathcal{M}_4, k \mapsto \left[\frac{z^4 + kz}{kz^3 + 1} \right]$$

is one-to-one. The locus $\mathcal{A}_4(D_3)$ is an irreducible curve of genus zero with one singular point. (Lemma 5.3, Proposition 5.4)

(3) The map

$$\mathbb{A}^2 \setminus \{k_1 k_2 = 1\} \rightarrow \mathcal{M}_4, (k_1, k_2) \mapsto \left[\frac{z^4 + k_1 z}{k_2 z^3 + 1} \right]$$

is one-to-one. The locus $\mathcal{A}_4(C_3)$ is a singular irreducible surface. (Proposition 5.6)

(4) The map

$$\mathbb{A}^3 \setminus \{k_2^2 + k_3^2 = k_1 k_2 k_3\} \rightarrow \mathcal{M}_4, (k_1, k_2, k_3) \mapsto \left[\frac{z^4 + k_1 z^2 + 1}{k_2 z^3 + k_3 z} \right]$$

is generically two-to-one. (Proposition 5.7)

Note that the singular point in the curves in parts (1) and (2) still have the appropriate automorphism group, so we are not seeing the phenomenon of changing automorphism group we saw in the singular point in Theorem 1.4 (1) (and in the cuspidal cubic which is \mathcal{A}_2). However, these two points do correspond to non-conjugate maps with the same set of fixed point multiplier invariants. Since the embeddings in affine space for these families use only the fixed points invariants, in some sense this point is the point of intersection of the image of

these two families in \mathbb{A}^4 . This common point is the only (nondegenerate) such point of intersection.

Having given parameterizations of \mathcal{A}_3 and \mathcal{A}_4 , we turn to studying rational preperiodic structures. From the set of preperiodic points S for f , we create a directed graph whose vertices are the points in S and for $P, Q \in S$ there is an edge from P to Q if and only if $f(P) = Q$. An important consideration for rationality questions on \mathcal{A}_d is which representative of the conjugacy class is used. Studying \mathbb{Q} -rational preperiodic points, conjugating by an element of $\text{PGL}_2(\mathbb{Q})$ would not affect the rational preperiodic structure. However, conjugating by an element over a field extension would affect the rational preperiodic structure. This effect on rationality still occurs even when the new map is still defined over the original field of definition, the *rational twist* case; see [LMT14] for uniform boundedness for families of twists. Consequently, we study rational preperiodic structures for the parameter space locus A_d .

Section 6 classifies the \mathbb{Q} -rational preperiodic structures that occur for maps in the locus A_3 given by these parameterizations with \mathbb{Q} -rational parameter values. The graph structures are specified in the theorems of Section 6 and summarized in the following theorem.

Theorem 1.7.

- (1) Single conjugacy classes $A_3(C_4) = A_3(D_4)$, and $A_3(\mathfrak{A}_4)$: Each has one possible rational preperiodic graph structure. (Theorem 6.3)
- (2) $A_3(C_3)$: Assuming there are no points of minimal period 4 or higher, then there are four possible \mathbb{Q} -rational preperiodic graph structures for $f_a(z) = \frac{z^3+a}{az^2}$. Each of these graph structures occurs infinitely often. (Theorem 6.9).
- (3) $A_3(D_2)$:
 - (a) Assuming there are no points of minimal period 4 or higher, then there are four possible \mathbb{Q} -rational preperiodic graph structures for $f_a(z) = \frac{az^2+1}{z^3+az}$. Each of these graph structures occurs infinitely often. (Theorem 6.12).
 - (b) Assuming there are no points of minimal period 4 or higher, then there are four possible \mathbb{Q} -rational preperiodic graph structures for $f_a(z) = \frac{az^2-1}{z^3-az}$. Each of these graph structures occurs infinitely often. (Theorem 6.15).
- (4) $A_3(C_2)$:
 - (a) The family $f_{a,b}(z) = \frac{z^3+az}{bz^2+1}$ has at least 33 different \mathbb{Q} -rational preperiodic graph structures. (Section 6.5).
 - (b) The family $g_{a,b}(z) = \frac{az^2+1}{z^3+bz}$ has at least 23 different \mathbb{Q} -rational preperiodic graph structures. (Section 6.6).

The methods of this section are to first classify the occurrence of \mathbb{Q} -rational periodic points up to some bound on the minimal period, then to classify the

rational preimages of the possible cycle structures. Further, we must classify when distinct connected components can occur for the same choice of parameter. In all these cases, the problems come down to finding all the rational points on a curve. In the case of rational or elliptic curves, this set can be infinite. In the case of higher genus curves, there can only be finitely many rational points (Faltings' Theorem). For the two $A_3(C_2)$ components that are dimension two, the task moves to finding all rational points on surfaces. The tools available for such problems are much more limited, so instead we perform a census of \mathbb{Q} -rational preperiodic graph structures with \mathbb{Q} -rational parameter values.

In Section 7 we study the \mathbb{Q} -rational preperiodic structures that occur for maps in the locus A_4 given by these parameterizations with \mathbb{Q} -rational parameter values. The graph structures are specified in the Theorems of Section 7 and summarized in the following theorem.

Theorem 1.8.

- (1) Single conjugacy classes $A_4(C_5) = A_4(D_5)$ have one possible rational preperiodic graph structure. (Theorem 7.1)
- (2) $A_4(C_4)$: Assuming there are no points of minimal period 3 or higher, then there are four possible \mathbb{Q} -rational preperiodic graph structures for $f_k(z) = \frac{z^4+1}{kz^3}$. Each of these graph structures occurs infinitely often. (Theorem 7.4).
- (3) $A_4(D_3)$: Assuming there are no points of minimal period 3 or higher, then there are five possible \mathbb{Q} -rational preperiodic graph structures for $f_k(z) = \frac{z^4+kz}{kz^3+1}$ with possibly finitely many exceptional values of the parameter k . Each of these graph structures occurs infinitely often. (Theorem 7.7).
- (4) $A_4(C_3)$: The family $f_{k_1,k_2}(z) = \frac{z^4+k_1z}{k_2z^3+1}$ has at least 13 different \mathbb{Q} -rational preperiodic graph structures. (Section 7.4).
- (5) $A_4(C_2)$: The family $f_{k_1,k_2,k_3}(z) = \frac{z^4+k_1z^2+1}{k_2z^3+k_3z}$ has at least 55 different \mathbb{Q} -rational preperiodic graph structures. (Section 7.5).

The methods parallel those in Section 6, but the increase in degree causes an increase in the complexity of the curves. The finitely many possible exceptions for $A_4(D_3)$ correspond to the rational points of several explicitly given curves with genus at least 4.

Finally, in Section 8 we make some remarks on further problems.

The computations were done primarily in Magma [BCP97] and Sage [SJ05]. Code used for the computations can be found in the arXiv version¹ of this article.

¹<https://arxiv.org/abs/2007.15483>

2. Automorphism loci in \mathcal{M}_3

In this section we determine \mathcal{A}_3 , the conjugacy classes of degree 3 endomorphisms of \mathbb{P}^1 that have a nontrivial automorphism. We will always be working over $\overline{\mathbb{Q}}$.

We know that if $\Gamma \subset \text{Aut}(f)$ for some $f \in \text{Rat}_d$, then Γ must be isomorphic to $C_n, D_n, \mathfrak{A}_4, S_4$, or \mathfrak{A}_5 ; see [Sil95]. Also, from the classification of finite subgroups of PGL_2 , all isomorphic subgroups are in fact conjugate to each other; see [MSW14, Lemma 2.3]. Thus, given a group, we can simply fix an SL_2 representation and work only with this representation.

From previous work of Miasnikov, Stout, and Williams [MSW14] (henceforth abbreviated as MSW), we are able to determine the dimension of $\mathcal{A}_3(\Gamma)$ for any Γ .

Lemma 2.1. When $\deg(f) = 3$, $\text{Aut}(f)$ must be C_2, C_3, C_4, D_2, D_4 or \mathfrak{A}_4 . The dimensions of $\mathcal{A}_3(\Gamma)$ for these groups are given by

- (1) $\dim \mathcal{A}_3(C_2) = 2, \dim \mathcal{A}_3(C_3) = 1$, and $\dim \mathcal{A}_3(C_4) = 0$.
- (2) $\dim \mathcal{A}_3(D_2) = 1$, and $\dim \mathcal{A}_3(D_4) = 0$.
- (3) $\dim \mathcal{A}_3(\mathfrak{A}_4) = 0$.

Moreover,

- (4) $\mathcal{A}_3(D_4) \subset \mathcal{A}_3(C_4) \subset \mathcal{A}_3(C_2)$.
- (5) $\mathcal{A}_3(D_2) \subset \mathcal{A}_3(C_2)$.
- (6) $\mathcal{A}_3(\mathfrak{A}_4) \subset \mathcal{A}_3(C_3)$ and $\mathcal{A}_3(\mathfrak{A}_4) \subset \mathcal{A}_3(D_2) \subset \mathcal{A}_3(C_2)$.

Proof. The groups that occur and the dimensions are calculated in Section 2 of MSW [MSW14]. The second half follows from the observation that if G is a subgroup of H , then $\mathcal{A}_d(H) \subseteq \mathcal{A}_d(G)$. \square

To determine $\mathcal{A}_3(\Gamma)$, we proceed in two steps. First we find a family in $\mathcal{A}_3 \subset \text{Rat}_3$ which parameterizes all maps that have Γ contained in their automorphism group. Then we find a normal form for elements in this family. By normal form, we mean that the projection $\pi : \text{Rat}_3 \rightarrow \mathcal{M}_3$ is an isomorphism on this family, i.e., every member of the family represents a distinct conjugacy class. However, in practice we typically end up with a finite-to-one projection so that the dimension of the family in parameter space is the same as the dimension in moduli space. Stated more precisely, given a group Γ , we want to find a k -parameter family in Rat_3 such that $k = \dim \mathcal{A}_3(\Gamma)$ and for all maps $f \in \mathcal{A}_3(\Gamma)$, f is conjugate to some member of this k -parameter family.

2.1. $\mathcal{A}_3(C_4)$ and $\mathcal{A}_3(D_4)$. From Silverman’s classification of maps with cyclic automorphism groups [Sil95, Proposition 7.3], we know that if a degree 3 map f has a C_4 symmetry generated by $z \mapsto iz$, then f must be of the form $\frac{1}{az^3}$ for some $a \in \overline{\mathbb{Q}}$. This family of maps is actually a family of twists corresponding to a single conjugacy class in \mathcal{M}_3 .

Proposition 2.2. Let $f \in \text{Rat}_3$. If $C_4 \subseteq \text{Aut}(f)$, then f is conjugate to $\frac{1}{z^3}$.

Proof. Let $\varphi(z) = \frac{1}{z^3}$ and $f_a(z) = \frac{1}{az^3}$ for any nonzero $a \in \overline{\mathbb{Q}}$. Consider the Möbius transform $\alpha(z) = pz$, where $p^4 = a$. We can compute

$$\varphi^\alpha(z) = (\alpha^{-1} \circ \varphi \circ \alpha)(z) = \frac{1}{\frac{(pz)^3}{p}} = \frac{1}{p^4 z^3} = \frac{1}{az^3} = f_a(z). \quad \square$$

Note that the automorphism group of $\frac{1}{z^3}$ is actually all of D_4 with the extra symmetries coming from $z \mapsto \frac{1}{z}$. By the containments from Lemma 2.1, we have the following corollary.

Corollary 2.3. The automorphism locus $\mathcal{A}_3(C_4) = \mathcal{A}_3(D_4)$ is a single point in \mathcal{M}_3 given by the conjugacy class of $\frac{1}{z^3}$.

2.2. $\mathcal{A}_3(C_3)$. From Silverman’s classification of maps with cyclic automorphism groups [Sil95, Proposition 7.3], we know that if $f \in \text{Rat}_3$ has a C_3 symmetry, then f belongs to one of the following two families:

$$f_1(z) = \frac{az^3 + b}{cz^2} \quad \text{or} \quad f_2(z) = \frac{az}{bz^3 + c}.$$

Since all parameters must be nonzero to be a degree 3 map, we can divide through by a and b , respectively, to get

$$f_1(z) = \frac{z^3 + a_1}{a_2 z^2} \quad \text{or} \quad f_2(z) = \frac{b_1 z}{z^3 + b_2}, \tag{1}$$

where $a_1, a_2, b_1, b_2 \in \overline{\mathbb{Q}} \setminus \{0\}$. These two families in parameter space are exactly $\mathcal{A}_3(C_3)$, and we next show they project onto the same irreducible curve in moduli space.

Now that we are working with positive dimensional components of \mathcal{A}_3 , we set some terminology for parameterized families. A k -parameter family of rational degree d maps is a set of rational maps $\mathbb{P}^1 \rightarrow \mathbb{P}^1$ of the form

$$f(x, y) = (F_0 x^d + F_1 x^{d-1} y + \dots + F_d y^d : F_{d+1} x^d + \dots + F_{2d+1} y^d)$$

for some polynomials F_0, \dots, F_{2d+1} in indeterminates u_1, \dots, u_k , where we may require that some of the F_j never vanish and the two defining polynomials of f have no common factors for all (u_1, \dots, u_k) considered. In particular, a k -parameter family is parameterized by an open subset of \mathbb{A}^k .

Lemma 2.4. A k -parameter family in Rat_d induces a map

$$F : U \rightarrow \mathcal{M}_d$$

for an open subset $U \subseteq \mathbb{A}^k$ and this map is a morphism of varieties. In particular, the image is irreducible and so is its closure.

Proof. A k -parameter family is represented in the form

$$f(x, y) = (F_0 x^d + F_1 x^{d-1} y + \dots + F_d y^d : F_{d+1} x^d + \dots + F_{2d+1} y^d)$$

where the F_j are polynomials in parameters (u_1, \dots, u_k) . These F_j determine a morphism of varieties $\phi : \mathbb{A}^k \rightarrow \mathbb{A}^{2d+2}$ defined as

$$(u_1, \dots, u_k) \mapsto (F_0(u_1, \dots, u_k), \dots, F_{2d+1}(u_1, \dots, u_k)).$$

The complement of the origin $\mathbb{A}^{2d+2} \setminus \{0\}$ is an open subset and, thus,

$$U' := \phi^{-1}(\mathbb{A}^{2d+2} \setminus \{0\})$$

is also open in \mathbb{A}^k . So restricting ϕ gives a morphism $U' \rightarrow \mathbb{A}^{2d+2} \setminus \{0\}$.

There is a projection morphism $\mathbb{A}^{2d+2} \setminus \{0\} \rightarrow \mathbb{P}^{2d+1}$ defined

$$(a_0, \dots, a_{2d+1}) \mapsto (a_0 : \dots : a_{2d+1}).$$

Composing the restriction of ϕ with this projection yields a morphism $U' \rightarrow \mathbb{P}^{2d+1}$.

By definition, Rat_d is the complement of a hypersurface in \mathbb{P}^{2d+1} and is open itself. Therefore, its inverse image by the composite map from U' is also an open subset U of \mathbb{A}^k .

One may further refine U as needed by intersecting it with the inverse image of the complement of the hyperplane in \mathbb{P}^{2d+1} defined by the vanishing of a given a_j . This amounts to requiring the corresponding coefficient of the rational maps in the k -parameter family to be nonzero.

Finally, geometric invariant theory can be used to show the quotient map $\text{Rat}_d \rightarrow \mathcal{M}_d$ [Sil07, Theorem 4.36] is a morphism; thus, altogether we obtain the desired map $F : U \rightarrow \mathcal{M}_d$.

From point set topology, nonempty open subsets of varieties are irreducible, the closure of an irreducible subset of a larger topological space is irreducible, and the continuous image of an irreducible set is irreducible. Therefore, the image of F and its closure are both irreducible. \square

For example, with the notation from Lemma 2.4, the 1-parameter family of rational maps of the form $f_a(z) = \frac{az}{az^3+1}$ written projectively as

$$(x : y) \mapsto (axy^2 : ax^3 + y^3),$$

where $a \neq 0$ corresponds to taking

$$\begin{aligned} F_0 &= F_1 = F_3 = F_5 = F_6 = 0 \\ F_2 &= F_4 = a \\ F_7 &= 1. \end{aligned}$$

We have refined the open subset U from the proof by intersecting it with the inverse image of the complement of the hyperplane defined by $a_2 = 0$ (or, equivalently, that defined by $a_4 = 0$), if the coordinates for \mathbb{P}^7 are $(a_0 : a_1 : a_2 : \dots : a_7)$. Lemma 2.4 then shows that the set of all conjugacy classes of maps of the form $f_a(z) = \frac{az}{az^3+1}$ is an irreducible subset of \mathcal{M}_3 .

Let $f \in \text{Rat}_d$. To each periodic point z of period n for f , we can compute the multiplier as $\lambda_z := (\tilde{f}^n)'(z)$ for a dehomogenization \tilde{f} of f . The set of all multipliers of a given period is invariant under conjugation (but may be permuted)

so applying the elementary symmetric polynomials to this collection of multipliers produces a set of complex numbers that are invariants of the conjugacy class—these *multiplier invariants* have also been called *Milnor parameters*. See Silverman [Sil07, §4.5] for more details on dimension 1 and Hutz [Hut19] for dimension > 1 . The key fact we need is that they are invariants of the conjugacy class. In particular, if $f, g \in \text{Rat}_d$ have different multiplier invariants for any fixed n , then they cannot be conjugate. However, the converse is not true; having the same multiplier invariants for some (or all) n does not make two functions conjugate.

Proposition 2.5. $\mathcal{A}_3(C_3)$ is an irreducible curve in \mathcal{M}_3 given by either one-parameter family,

$$f_a(z) = \frac{z^3 + a}{az^2} \quad \text{or} \quad g_b(z) = \frac{bz}{bz^3 + 1}.$$

Proof. We first show that we can conjugate the two-parameter families in equation (1) to the one-parameter families given in the statement. We first consider f_1 . Let $\beta^3 = \frac{a_2}{a_1}$, and consider the Möbius transform $\alpha(z) = \frac{1}{\beta}z$ so that $\alpha^{-1}(z) = \beta z$. We can compute

$$\begin{aligned} f_1^\alpha(z) &= \left(\frac{\left(\frac{1}{\beta}z\right)^3 + a_1}{a_2 \left(\frac{1}{\beta}z\right)^2} \right) \beta = \left(\frac{\frac{z^3}{\beta^3} + a_1}{a_2 \frac{z^2}{\beta^2}} \right) \beta \\ &= \frac{\beta z^3 + a_1 \beta^4}{a_2 \beta z^2} = \frac{z^3 + a_1 \beta^3}{a_2 z^2} = \frac{z^3 + a_2}{a_2 z^2}. \end{aligned}$$

Thus, the two-parameter family $\frac{z^3 + a_1}{a_2 z^2}$ is conjugate to the one-parameter family f_{a_2} . Similarly for f_2 , we can set $\gamma^3 = b_1$, and consider the Möbius transform $\alpha(z) = \gamma z$ and its inverse $\alpha^{-1}(z) = \frac{1}{\gamma}z$. We can compute

$$f_2^\alpha(z) = \left(\frac{b_1 \gamma z}{\gamma^3 z^3 + b_2} \right) \frac{1}{\gamma} = \frac{b_1 z}{\gamma^3 z^3 + b_2} = \frac{\frac{b_1}{b_2} z}{\frac{b_1}{b_2} z^3 + 1} = \frac{bz}{bz^3 + 1},$$

where $b = \frac{b_1}{b_2}$. Thus, the two-parameter family $\frac{b_1 z}{z^3 + b_2}$ is conjugate to the one-parameter family g_b .

Next, consider the Möbius transform $\alpha(z) = \frac{1}{z}$. We can compute

$$f_b^\alpha(z) = \frac{1}{\frac{1}{z^3} + b} = \frac{1}{\frac{bz^3 + 1}{z^3}} = \frac{bz}{bz^3 + 1} = g_b(z).$$

Thus, the two one-parameter families f_a and g_b are conjugate and we can consider either one. In particular, every f with a C_3 symmetry is conjugate to some member of the family $f_a(z) = \frac{z^3+a}{az^2}$. □

2.3. $\mathcal{A}_3(D_2)$. The representation of D_2 we will be working with is

$$\left\{ \begin{bmatrix} 1 & 0 \\ 0 & 1 \end{bmatrix}, \begin{bmatrix} -i & 0 \\ 0 & i \end{bmatrix}, \begin{bmatrix} 0 & i \\ i & 0 \end{bmatrix}, \begin{bmatrix} 0 & -1 \\ 1 & 0 \end{bmatrix} \right\},$$

where $\begin{bmatrix} -i & 0 \\ 0 & i \end{bmatrix}$ and $\begin{bmatrix} 0 & i \\ i & 0 \end{bmatrix}$ are the two generators. They correspond to Möbius transforms $\alpha_1 = -z$ and $\alpha_2 = \frac{1}{z}$.

Proposition 2.6. $\mathcal{A}_3(D_2)$ consists of two irreducible curves which intersect at the single point $\mathcal{A}_3(D_4) = \mathcal{A}_3(C_4)$.

Proof. Let $f(z) = \frac{a_1z^3+a_2z^2+a_3z+a_4}{b_1z^3+b_2z^2+b_3z+b_4}$ be a degree 3 map. If f has a D_2 symmetry, we can obtain restrictions on the coefficients from the equations $f = f^{\alpha_1}$ and $f = f^{\alpha_2}$.

We get 14 equations and compute the irreducible components of the variety generated by these equations as a subvariety of \mathbb{P}^7 . There are 8 irreducible components, but only 4 of them correspond to degree 3 maps. Thus, $f \in \text{Rat}_3$ has a D_2 symmetry (with this representation) if and only if it has one of the following four forms:

$$\begin{aligned} f_1(z) &= \frac{k_1z^2 - 1}{z^3 - k_1z} & f_2(z) &= \frac{k_2z^2 + 1}{z^3 + k_2z} \\ f_3(z) &= \frac{z^3 + k_3z}{k_3z^2 + 1} & f_4(z) &= \frac{z^3 - k_4z}{k_4z^2 - 1}, \end{aligned}$$

where none of the parameters $k_1, k_2, k_3,$ or k_4 can be ± 1 . We will show that $f_2, f_3,$ and f_4 are all conjugate to each other, whereas f_1 is not in general conjugate to the rest. First, consider the families f_3 and f_2 . Conjugating f_2 by the element

$$\alpha = \begin{bmatrix} 1 & -i \\ -i & 1 \end{bmatrix}, \text{ we get}$$

$$f_2^\alpha(z) = \frac{z^3 + \frac{k_2+3}{k_2-1}z}{\frac{k_2+3}{k_2-1}z^2 + 1}.$$

Thus, f_2 is conjugate to the map $f_3(z) = \frac{z^3+k_3z}{k_3z^2+1}$, where $k_3 = \frac{k_2+3}{k_2-1}$. Now we show that f_4 is conjugate to f_2 . For every $k_4 \neq 1$, set $k_2 = \frac{k_4+3}{k_4-1}$ and work

with $f_2(z) = \frac{\frac{k_4+3}{k_4-1}z^2+1}{z^3+\frac{k_4+3}{k_4-1}}$. Conjugating this map by $\alpha = \begin{bmatrix} i & i \\ -1 & 1 \end{bmatrix}$, we get $f_2^\alpha(z) =$

$$\frac{z^3-k_4z}{k_4z^2-1} = f_4(z). \text{ Thus, } f_2, f_3, \text{ and } f_4 \text{ are all conjugate to each other.}$$

To see that f_1 is not conjugate to the rest, we compute the multiplier invariants for the fixed points of f_1 . Interestingly, they are independent of the parameter k_1 :

$$\sigma_1 = -12 \quad \sigma_2 = 54 \quad \sigma_3 = -108 \quad \sigma_4 = 81.$$

However, the multiplier invariants for the fixed points of f_4 are dependent on the parameter k_4 :

$$\begin{aligned} \sigma_1(k_4) &= \frac{2k_4^2 + 6}{k_4 + 1} \\ \sigma_2(k_4) &= \frac{k_4^4 - 2k_4^3 + 10k_4^2 + 6k_4 + 9}{k_4^2 + 2k_4 + 1} \\ \sigma_3(k_4) &= \frac{-2k_4^4 + 6k_4^3 - 6k_4^2 + 18k_4}{k_4^2 + 2k_4 + 1} \\ \sigma_4(k_4) &= \frac{k_4^4 - 6k_4^3 + 9k_4^2}{k_4^2 + 2k_4 + 1}. \end{aligned}$$

Solving the equations

$$\sigma_1(k_4) = -12, \quad \sigma_2(k_4) = 54, \quad \sigma_3(k_4) = -108, \quad \sigma_4(k_4) = 81,$$

we see that the only possible conjugacy occurs for $k_4 = -3$. Setting $k_4 = -3$, we compute the multiplier invariants for the periodic points of period 2 for f_1 and f_4 , denoted $\sigma_i^{(2)}$ for $1 \leq i \leq 10$. For f_1 the invariants depend on k_1 , and for f_4 at $k_4 = -3$ they are constants. Solving the equations $\sigma_i^{(2)}(f_1) = \sigma_i^{(2)}(f_4)$, we see that the three values $k_1 \in \{3, 0, -3\}$ are all conjugate to f_4 with $k_4 = -3$. Further, note that the three elements of the f_1 family with $k_1 \in \{3, 0, -3\}$ are all in the same conjugacy class as $\frac{1}{z^3}$. These are the only conjugacies in the families f_1 and f_4 .

In summary, every degree 3 map f with D_2 symmetry is conjugate to some member of the family $f_1(z) = \frac{k_1 z^2 - 1}{z^3 - k_1 z}$ or the family $f_2(z) = \frac{k_2 z^2 + 1}{z^3 + k_2 z}$, and we can conclude that $\mathcal{A}_3(D_2)$ has two irreducible components which intersect at the calculated conjugacy class. \square

2.4. $\mathcal{A}_3(C_2)$.

Proposition 2.7. The locus $\mathcal{A}_3(C_2)$ is the union of two irreducible surfaces which intersect in the $f_a(z)$ component of $\mathcal{A}_3(D_2)$.

Proof. From Silverman's classification of maps with cyclic automorphism groups [Sil95, Proposition 7.3], we know that if f is degree 3 with a C_2 symmetry; then f is conjugate to one of the forms

$$f(z) = \frac{k_1 z^3 + k_2 z}{k_3 z^2 + k_4} \quad \text{or} \quad f(z) = \frac{l_1 z^2 + l_2}{l_3 z^3 + l_4 z},$$

where $k_1k_4 \neq 0$ and $l_2l_3 \neq 0$. Thus, we can divide through by k_1 and l_3 , respectively, to obtain:

$$f(z) = \frac{z^3 + a_1z}{a_2z^2 + a_3} \quad \text{or} \quad f(z) = \frac{b_1z^2 + b_2}{z^3 + b_3z}.$$

We first reduce these two three-parameter families to two-parameter families. Consider the first family $f_1(z) = \frac{z^3+a_1z}{a_2z^2+a_3}$. Conjugating it by the Möbius transform $\alpha(z) = \sqrt{a_3}z$, we get

$$f_1^\alpha(z) = \frac{1}{\sqrt{a_3}} \left(\frac{(\sqrt{a_3}z)^3 + a_1\sqrt{a_3}z}{a_2a_3z^2 + a_3} \right) = \frac{a_3z^3 + a_1z}{a_2a_3z^2 + a_3} = \frac{z^3 + \frac{a_1}{a_3}z}{a_2z^2 + 1}.$$

Thus, for every choice of a_1, a_2, a_3 , we can set $k_1 = \frac{a_1}{a_3}$ and $k_2 = a_2$; note that $a_3 \neq 0$ since $k_4 \neq 0$. Thus, the family $f_1(z) = \frac{z^3+a_1z}{a_2z^2+a_3}$ is conjugate to the family $\varphi(z) = \frac{z^3+k_1z}{k_2z^2+1}$.

Similarly, given $f_2(z) = \frac{b_1z^2+b_2}{z^3+b_3z}$, we can set $\beta^4 = \frac{1}{b_2}$ and consider the Möbius transform $\alpha(z) = \frac{1}{\beta}z$. We can compute

$$f_2^\alpha(z) = \beta \left(\frac{b_1 \frac{z^2}{\beta^2} + b_2}{\frac{z^3}{\beta^3} + b_3 \frac{z}{\beta}} \right) = \frac{b_1\beta^2z^2 + b_2\beta^4}{z^3 + b_3\beta^2z} = \frac{b_1\beta^2z^2 + 1}{z^3 + b_3\beta^2z}.$$

Thus, for any choice of b_1, b_2, b_3 , we can set $l_1 = b_1\beta^2$ and $l_2 = b_3\beta^2$. So the family $f_2(z) = \frac{b_1z^2+b_2}{z^3+b_3z}$ is conjugate to the family $\phi(z) = \frac{l_1z^2+1}{z^3+l_2z}$.

Finally, we need to determine if these two-parameter families are ever conjugate to each other. Taking a generic PGL_2 element $\alpha = \begin{pmatrix} a & b \\ c & d \end{pmatrix}$ and conjugating, we can setup a system of equations for φ^α to be of the form ϕ by equating the known coefficients (up to scalar multiple). This produces a variety with three irreducible components:

$$\begin{aligned} X_1 &= V(l_2 + 3, l_1 + 3, k_1 + k_2, k_2^2 + 9), \\ X_2 &= V(l_1 - l_2, k_1 - k_2, k_2l_2 - k_2 - l_2 - 3), \\ X_3 &= V(l_1 - l_2, k_1 - k_2, k_2l_2 - k_2 + l_2 + 3). \end{aligned}$$

The component X_1 is dimension 0 containing the three pairs of maps with

$$(l_1, l_2, k_1, k_2) \in \{(-3, -3, 0, 0), (-3, -3, 3i, -3i), (-3, -3, -3i, 3i)\}.$$

All such maps are conjugate to $\frac{1}{z^3}$. The components X_2 and X_3 we now show are the component $f_a(z)$ of $\mathcal{A}_3(D_2)$. Note that when $l_1 = l_2$, this is exactly the

family $f_a(z)$. The last defining equation for each variety solves as

$$k_1 = k_2 = \frac{l_2 + 3}{l_2 - 1} \quad \text{and} \quad k_1 = k_2 = \frac{l_2 - 3}{l_2 + 1},$$

respectively. Recall that $l_2 = \pm 1$ is degenerate, so every (nondegenerate) map with pair (k_1, k_2) is conjugate to a corresponding map with pair (l_1, l_2) and vice versa. In other words, the two forms represent the same family $f_a(z)$ as families in moduli space. Since $\frac{1}{z^3}$ is in the $f_a(z)$ component of $\mathcal{A}_3(D_2)$, we have proven the intersection statement. \square

This completes the proof of Theorem 1.2.

Remark 2.8. It is worth noting that for each of the cyclic automorphism groups, the same procedure was able to produce a family in moduli space. Fix an integer $m \geq 2$. The following algorithm will produce a k -parameter family in $\mathcal{A}_d(C_m)$ where $k = \dim(\mathcal{A}_d(C_m))$.

- (1) Start with the normal form $z\psi(z^m)$ from Silverman [Sil95, Proposition 7.3]. The number of parameters of this normal form is $\dim \mathcal{A}(C_m) + 2$. Moreover, there are at least two parameters that are nonzero.
- (2) Divide through by one of the nonzero parameters.
- (3) Apply a matrix of the form $\begin{bmatrix} * & 0 \\ 0 & 1 \end{bmatrix}$ to eliminate another parameter.

2.5. $\mathcal{A}_3(\mathfrak{A}_4)$. We know that C_2 and C_3 are subgroups of \mathfrak{A}_4 so that $\mathcal{A}_3(\mathfrak{A}_4) \subseteq \mathcal{A}_3(C_2) \cap \mathcal{A}_3(C_3)$. This intersection turns out to be a single conjugacy class giving $\mathcal{A}_3(\mathfrak{A}_4)$.

Proposition 2.9. The locus $\mathcal{A}_3(\mathfrak{A}_4)$ is a single point in moduli space represented by $f(z) = \frac{\sqrt{-3z^2+1}}{z^3-\sqrt{-3z}}$. This point is exactly the intersection of $\mathcal{A}_3(C_2)$ and $\mathcal{A}_3(C_3)$ in \mathcal{M}_3 .

Proof. We start by computing the intersection $\mathcal{A}_3(C_2) \cap \mathcal{A}_3(C_3)$. To determine this intersection, we use a Groebner basis calculation similar to the end of the proof of Proposition 2.7. Recall that $\mathcal{A}_3(C_3)$ is given by the family $g_a(z) = \frac{z^3+a}{az^2}$.

Consider the component of $\mathcal{A}_3(C_2)$ given by $f_{k_1,k_2}(z) = \frac{z^3+k_1z}{k_2z^2+1}$. Taking a generic element of PGL_2 , $\alpha = \begin{pmatrix} a & b \\ c & d \end{pmatrix}$, we consider the system of equations obtained from the coefficients of

$$f_{k_1,k_2}^\alpha = tg_a$$

for some nonzero constant t . Note that f_{k_1,k_2}^α is degree 3, so that if $f_{k_1,k_2}^\alpha = g_a$, then its numerator and denominator differ from those of g_a only by a constant multiple. The resulting equations have no solutions.

Now consider the component given by $f_{k_1, k_2} = \frac{k_1 z^2 + 1}{z^3 + k_2 z}$. Again we set $f_{k_1, k_2}^\alpha = tg_a$ and solve the resulting system of equations. In this case, there are two solutions

$$a = -3, \quad (k_1, k_2) = (\pm\sqrt{3}, \mp\sqrt{3}).$$

These two choices of (k_1, k_2) are in fact conjugate to each other. Furthermore, the automorphism group of f_{k_1, k_2} has order 12 at these values. The only group with order 12 in our list of possible automorphism groups is \mathfrak{A}_4 . Thus, $\mathcal{A}_3(C_2)$ and $\mathcal{A}_3(C_3)$ intersect at a single point in the moduli space, and the point of intersection is $\mathcal{A}_3(\mathfrak{A}_4)$. \square

As mentioned in the introduction, the choice of representation affects the field of definition and it is natural to ask whether a map defined over \mathbb{Q} has \mathfrak{A}_4 as automorphism group. Hutz-deFaria [dFH15] proved that the “standard” representation of \mathfrak{A}_4 given by Silverman [Sil95] does not have a map defined over \mathbb{Q} with tetrahedral automorphism group. However, when computing the intersection of $\mathcal{A}(C_2)$ and $\mathcal{A}(C_3)$ in Proposition 2.9, we discovered that the map

$$f(z) = \frac{z^3 - 3}{-3z^2}$$

has tetrahedral automorphism group (and is conjugate to the maps in Proposition 2.9), which can be verified with direct computation by the algorithm of Faber-Manes-Viray [FMV14] as implemented in Sage. This example completes the construction started in Hutz-deFaria to show that every finite subgroup of PGL_2 can be realized as the automorphism group of a map defined over \mathbb{Q} .

Theorem 2.10. Every conjugacy class of a finite subgroup of PGL_2 can be realized as the automorphism group of a rational map defined over \mathbb{Q} .

3. Geometry of certain automorphism loci in \mathcal{M}_3

In this section, we examine the geometry of automorphism loci $\mathcal{A}_3(\Gamma) \subset \mathcal{M}_3$, such as smoothness and genus. The method in general is to embed \mathcal{M}_3 into an affine space with a collection of multiplier invariants, i.e.,

$$\begin{aligned} \tau_n : \mathcal{M}_3 &\rightarrow \mathbb{A}^{3^n+1} \\ [f] &\mapsto (\sigma_1^{(n)}, \dots, \sigma_{3^n+1}^{(n)}). \end{aligned}$$

We can then examine the image $\tau_n(\mathcal{A}_3(\Gamma)) \subseteq \mathbb{A}^{3^n+1}$ and talk about the geometry of the resulting variety.

3.1. $\mathcal{A}_3(C_3)$. Recall that every map with a C_3 symmetry is conjugate to some map of the form $f_a(z) = \frac{z^3+a}{az^2}$

Proposition 3.1. Define $f_a(z) = \frac{z^3+a}{az^2}$. The map

$$\begin{aligned} \mathbb{A}^1 \setminus \{0\} &\rightarrow \mathcal{M}_3 \\ a &\mapsto [f_a] \end{aligned}$$

is one-to-one. The locus $\mathcal{A}_3(C_3)$ is an irreducible curve of genus zero with one singular point corresponding to $\mathcal{A}_3(\mathfrak{A}_4)$.

Proof. We compute the multiplier invariants associated to the fixed points for the family $f_a(z)$ as functions of a as

$$\begin{aligned}\sigma_1(a) &= \frac{a^2 - 6a + 9}{a} \\ \sigma_2(a) &= \frac{-6a^3 + 21a^2 - 36a + 27}{a^2} \\ \sigma_3(a) &= \frac{12a^4 - 44a^3 + 63a^2 - 54a + 27}{a^3} \\ \sigma_4(a) &= \frac{-8a^3 + 36a^2 - 54a + 27}{a^2}.\end{aligned}$$

Then, to see which choices of parameters a and b have f_a and f_b with the same invariants, we solve the system of equations

$$\sigma_i(a) = \sigma_i(b) \quad 1 \leq i \leq 4.$$

The only solutions occur with $a = b$. In particular, since for each choice of a , f_a has distinct multiplier invariants, each choice of a corresponds to a distinct conjugacy class.

Because every choice of a provides a distinct set of fixed point multiplier invariants and, hence, a distinct conjugacy class in \mathcal{M}_3 , we can use the fixed point multiplier invariants to parameterize this curve in \mathcal{M}_3 . In particular, we have a map $\tau_1 : \mathcal{A}_3(C_3) \rightarrow \mathbb{A}^3$ defined by $[f_a] \mapsto (\sigma_1, \sigma_2, \sigma_3)$. We can omit σ_4 because it is dependent on $(\sigma_1, \sigma_2, \sigma_3)$ through the standard index relation (see Hutz-Tepper [HT13] or Fujimura-Nishizawa [FN07, Theorem 1]). Then we can consider the ideal generated by

$$\begin{aligned}a^2 - 6a + 9 - a\sigma_1, \\ -6a^3 + 21a^2 - 36a + 27 - a^2\sigma_2, \\ (12a^4 - 44a^3 + 63a^2 - 54a + 27) - a^3\sigma_3.\end{aligned}$$

We compute the saturation with the ideal (a) to avoid the vanishing of a and compute the Gröbner basis of the resulting ideal using lexicographic ordering to eliminate a . We obtain the following relations among the multiplier invariants:

$$\begin{aligned}0 &= 6\sigma_1^2 + \sigma_1\sigma_2 + 15\sigma_1 - 18\sigma_2 - 9\sigma_3 - 36 \\ 0 &= \sigma_2^2 - 3\sigma_1\sigma_3 - 24\sigma_1 + 12\sigma_2 + 36.\end{aligned}$$

These relations define a curve in \mathbb{A}^3 . This curve is irreducible over \mathbb{Q} and has genus 0. It is not smooth, and the only singular point is $(-12, 54, -108)$. This singular point corresponds to $a = -3$ and, thus, to the rational map $f_{-3}(z) = \frac{z^3 - 3}{-3z^2}$. This rational map has a tetrahedral automorphism group. \square

3.2. $\mathcal{A}_3(D_2)$. There are two components in the locus $\mathcal{A}_3(D_2)$. We examine each separately.

Proposition 3.2. Define $f_a(z) = \frac{az^2+1}{z^3+az}$. The map

$$\begin{aligned} \mathbb{A}^1 \setminus \{\pm 1\} &\rightarrow M_3 \\ a &\mapsto [f_a] \end{aligned}$$

is two-to-one. The component of the locus $\mathcal{A}_3(D_2)$ described by the image in \mathcal{M}_3 of the family f_a is a smooth irreducible curve of genus zero.

Proof. We first compute the fixed point multiplier invariants for this family as functions of a as

$$\begin{aligned} \sigma_1(a) &= \frac{4a^2 + 12}{a^2 - 1} \\ \sigma_2(a) &= \frac{6a^4 + 4a^2 + 54}{a^4 - 2a^2 + 1} \\ \sigma_3(a) &= \frac{4a^4 - 24a^2 - 108}{a^4 - 2a^2 + 1}. \end{aligned}$$

To show the map is two-to-one, we fix a and determine how many b satisfy

$$(\sigma_1(a), \sigma_2(a), \sigma_3(a)) = (\sigma_1(b), \sigma_2(b), \sigma_3(b)) \tag{2}$$

and then show that both solutions are conjugate. We start with the ideal defined by equation (2) and exclude the cases $a^2 = 1$ and $b^2 = 1$ through saturation. The resulting ideal is $(a^2 - b^2)$. We conclude that f_a and f_b have the same fixed point multiplier invariants if and only if $a = \pm b$. We know that $f_a(z) = \frac{az^2+1}{z^3+az}$ and $f_{-a}(z) = \frac{-az^2+1}{z^3-az}$ are conjugate to each other via the Möbius transform $\alpha(z) = -iz$:

$$f_a^\alpha(z) = -\frac{1}{i} \cdot \frac{a(-iz)^2 + 1}{(-iz)^3 + a(-iz)} = -\frac{1}{i} \cdot \frac{-az^2 + 1}{iz^3 - aiz} = \frac{-az^2 + 1}{z^3 - az} = f_{-a}(z).$$

Furthermore, this shows we can parameterize the image of the family f_a in \mathcal{M}_3 by the fixed point multiplier invariants. To study its geometry, consider the ideal generated by

$$\begin{aligned} (4a^2 + 12) - (a^2 - 1)\sigma_1, \\ (6a^4 + 4a^2 + 54) - (a^4 - 2a^2 + 1)\sigma_2, \\ (4a^4 - 24a^2 - 108) - (a^4 - 2a^2 + 1)\sigma_3. \end{aligned}$$

After saturation by $(a^2 - 1)$, we eliminate a to obtain the relations

$$\begin{aligned} 0 &= \sigma_1 - 2\sigma_2 - \sigma_3 + 12 \\ 0 &= 4\sigma_2^2 + 4\sigma_2\sigma_3 - 60\sigma_2 + \sigma_3^2 - 28\sigma_3 + 216. \end{aligned}$$

These define a curve in \mathbb{A}^3 . The curve is smooth, irreducible, and has genus 0. □

The other component of $\mathcal{A}_3(D_2)$ is given by the family $g_a(z) = \frac{az^2-1}{z^3-az}$. Recall that this family has fixed point multiplier invariants that are independent of the parameter a . We consider the multiplier invariants of the periodic points of period 2:

$$\begin{aligned}\sigma_1^{(2)} &= \frac{2a^6 + 36a^4 + 18a^2 + 72}{a^4 - 2a^2 + 1} \\ \sigma_2^{(2)} &= \frac{a^{12} + 76a^{10} + 514a^8 + 1228a^6 + 9a^4 + 2268}{a^8 - 4a^6 + 6a^4 - 4a^2 + 1} \\ \sigma_3^{(2)} &= \frac{40a^{12} + 1208a^{10} + 7304a^8 + 32528a^6 + 30744a^4 + 51192a^2 + 40824}{a^8 - 4a^6 + 6a^4 - 4a^2 + 1} \\ \sigma_4^{(2)} &= \frac{636a^{12} + 11232a^{10} + 85806a^8 + 335448a^6 + 785376a^4 + 927288a^2 + 459270}{a^8 - 4a^6 + 6a^4 - 4a^2 + 1} \\ \sigma_5^{(2)} &= \frac{5080a^{12} + 74700a^{10} + 624024a^8 + 2354184a^6 + 6805944a^4 + 7637004a^2 + 3306744}{a^8 - 4a^6 + 6a^4 - 4a^2 + 1} \\ \sigma_6^{(2)} &= \frac{21286a^{12} + 365112a^{10} + 2597184a^8 + 11914776a^6 + 25286094a^4 + 32122656a^2 + 14880348}{a^8 - 4a^6 + 6a^4 - 4a^2 + 1} \\ \sigma_7^{(2)} &= \frac{45720a^{12} + 1030968a^{10} + 6945912a^8 + 29498256a^6 + 47711592a^4 + 63772920a^2 + 38263752}{a^8 - 4a^6 + 6a^4 - 4a^2 + 1} \\ \sigma_8^{(2)} &= \frac{51516a^{12} + 979776a^{10} + 11396457a^8 + 12045996a^6 + 86093442a^4 + 57395628a^2 + 43046721}{a^8 - 4a^6 + 6a^4 - 4a^2 + 1} \\ \sigma_9^{(2)} &= \frac{29160a^{12} + 13122a^{10} - 7085880a^8 + 40389516a^6 + 86093442a^2}{a^8 - 4a^6 + 6a^4 - 4a^2 + 1} \\ \sigma_{10}^{(2)} &= \frac{6561a^{12} - 236196a^{10} + 3188646a^8 - 19131876a^6 + 43046721a^4}{a^8 - 4a^6 + 6a^4 - 4a^2 + 1}.\end{aligned}$$

Lemma 3.3. Define $g_a(z) = \frac{az^2-1}{z^3-az}$. The map

$$\begin{aligned}\varphi : \mathbb{A}^1 \setminus \{\pm 1\} &\rightarrow \mathcal{M}_3 \\ a &\mapsto [g_a]\end{aligned}$$

is six-to-one. The map

$$\begin{aligned}\tilde{\tau}_2 : \varphi(\mathbb{A}^1) &\rightarrow \mathbb{A}^3 \\ [g_a] &\mapsto (\sigma_1^{(2)}, \sigma_2^{(2)}, \sigma_3^{(2)})\end{aligned}$$

is injective.

Proof. Note that the ideal generated by $(\sigma_1^{(2)}, \dots, \sigma_{10}^{(2)})$ is in fact generated by $(\sigma_1^{(2)}, \sigma_2^{(2)}, \sigma_3^{(2)})$. So we just need to focus on these three invariants. Thinking of the invariants as functions of a , we need to find all b so that

$$(\sigma_1^{(2)}(a), \sigma_2^{(2)}(a), \sigma_3^{(2)}(a)) = (\sigma_1^{(2)}(b), \sigma_2^{(2)}(b), \sigma_3^{(2)}(b)).$$

Taking the ideal generated by these equations and saturating by the ideals $(a^2 - 1)$ and $(b^2 - 1)$, we have the principal ideal generated by the polynomial

$$(-a + b)(a + b)(ab - a - b - 3)(ab - a + b + 3)(ab + a - b + 3)(ab + a + b - 3).$$

We check that the six parameter values

$$b \in \left\{ \pm a, \pm \frac{a+3}{a-1}, \pm \frac{a-3}{a+1} \right\}$$

produce functions that are all conjugate.

If $b = -a$, g_a is, in fact, conjugate to g_b via the Möbius transform $\alpha(z) = iz$

$$g_a^\alpha(z) = \frac{1}{i} \cdot \frac{a(iz)^2 - 1}{(iz)^3 - a(iz)} = \frac{1}{i} \cdot \frac{-az^2 - 1}{-iz^3 - aiz} = \frac{-az^2 - 1}{z^3 + az} = g_{-a}(z).$$

If $b = \frac{a+3}{a-1}$, then g_a is conjugate to g_b via the Möbius transform $\alpha = \begin{pmatrix} -1 & 1 \\ 1 & 1 \end{pmatrix}$.

This calculation is straightforward, but omitted.

If $b = \frac{a-3}{a+1} = -\frac{-a+3}{-a-1}$, then g_{-a} is conjugate to g_b since $\frac{-a+3}{-a-1} = \frac{(-a)+3}{(-a)-1}$. Thus, this choice of b is also conjugate to a .

If $b = \frac{-a-3}{a-1} = -\frac{a+3}{a-1}$, then g_b is conjugate to $g_{\frac{a+3}{a-1}}$ and g_a .

If $b = \frac{-a+3}{a+1} = \frac{a-3}{-a-1} = -\frac{a-3}{a+1}$, g_b is conjugate to $g_{\frac{a-3}{a+1}}$ and g_a as well.

The six parameter values that produce the same triple $(\sigma_1^{(2)}, \sigma_2^{(2)}, \sigma_3^{(2)})$ are all conjugate, so φ is six-to-one and $\tilde{\tau}_2$ is injective on the image $\varphi(\mathbb{A}^1)$. \square

Proposition 3.4. The curve given by the component $g_a(z) = \frac{az^2-1}{z^3-az}$ of $\mathcal{A}_3(D_2)$ is a smooth irreducible curve of genus 0.

Proof. By Lemma 3.3 we can parameterize the curve with the coordinates

$$(\sigma_1^{(2)}, \sigma_2^{(2)}, \sigma_3^{(2)})$$

in \mathbb{A}^3 . In terms of the parameter a , this gives the equations

$$\begin{aligned} 0 &= (2a^6 + 36a^4 + 18a^2 + 72) - (a^4 - 2a^2 + 1)\sigma_1, \\ 0 &= (a^{12} + 76a^{10} + 514a^8 + 1228a^6 + 9a^4 + 2268) \\ &\quad - (a^8 - 4a^6 + 6a^4 - 4a^2 + 1)\sigma_2, \\ 0 &= (40a^{12} + 1208a^{10} + 7304a^8 + 32528a^6 + 30744a^4 + 51192a^2 + 40824) \\ &\quad - (a^8 - 4a^6 + 6a^4 - 4a^2 + 1)\sigma_3. \end{aligned}$$

Saturating with respect to $(a^2 - 1)$ and eliminating a yields the relations

$$\begin{aligned} 0 &= 916\sigma_1 - 40\sigma_2 + \sigma_3 - 16056 \\ 0 &= 1600\sigma_2^2 - 80\sigma_2\sigma_3 + \sigma_3^2 + 859456\sigma_2 - 105392\sigma_3 - 136334016. \end{aligned}$$

These relations define a smooth, irreducible curve of genus 0 in \mathbb{A}^3 . \square

3.3. $\mathcal{A}_3(\mathcal{C}_2)$. We start with the family $f_{a,b}(z) = \frac{z^3+az}{bz^2+1}$.

Lemma 3.5. The map

$$\begin{aligned} \varphi : \mathbb{A}^2 \setminus \{ab = 1\} &\rightarrow \mathcal{M}_3 \\ (a, b) &\mapsto [f_{a,b}] \end{aligned}$$

is two-to-one. The map

$$\tau_1 : \varphi(\mathbb{A}^2 \setminus \{ab = 1\}) \rightarrow \mathbb{A}^3$$

$$[f_{a,b}] \mapsto (\sigma_1, \sigma_2, \sigma_3)$$

is injective.

Proof. We calculate the fixed point multiplier invariants as functions of (a, b) as

$$\begin{aligned}\sigma_1(a, b) &= \frac{a^2b + ab^2 - 2ab + 3a + 3b - 6}{ab - 1} \\ \sigma_2(a, b) &= \frac{1}{(ab - 1)^2} (a^3b^3 - 2a^3b^2 - 2a^2b^3 + 4a^3b + 7a^2b^2 + 4ab^3 - 8a^2b \\ &\quad - 8ab^2 + 7ab - 6a - 6b + 9) \\ \sigma_3(a, b) &= \frac{1}{(ab - 1)^2} (-2a^3b^3 + 5a^3b^2 + 5a^2b^3 - 4a^3b - 12a^2b^2 - 4ab^3 + 4a^3 \\ &\quad + 14a^2b + 14ab^2 + 4b^3 - 12a^2 - 18ab - 12b^2 + 9a + 9b),\end{aligned}$$

where we have omitted σ_4 as usual due to its dependence from the standard index relation. To determine the degree of φ , we consider the equations

$$(\sigma_3(a, b), \sigma_2(a, b), \sigma_3(a, b)) = (\sigma_1(c, d), \sigma_2(c, d), \sigma_3(c, d)).$$

We saturate the resulting ideal with respect to $(ab - 1)$ and $(cd - 1)$, the parameter values where the family is degenerate, and find the irreducible components of the resulting variety in \mathbb{A}^3 as

$$(c, d) = (a, b) \quad \text{or} \quad (c, d) = (b, a).$$

The maps $f_{a,b}$ and $f_{b,a}$ are conjugate by $\alpha(z) = \frac{1}{z}$.

In no other situation are the fixed point multiplier invariants equal, so τ_1 is injective on the image of φ . \square

Proposition 3.6. The component of $\mathcal{A}_3(C_2)$ given by $f_{a,b} = \frac{z^3 + az}{bz^2 + 1}$ is an irreducible rational surface defined by

$$\begin{aligned}0 &= 36\sigma_1^5 - 12\sigma_1^4\sigma_2 + \sigma_1^3\sigma_2^2 - 2\sigma_1^2\sigma_2^3 - 12\sigma_1^4\sigma_3 + 8\sigma_1^3\sigma_2\sigma_3 - \sigma_1^2\sigma_2^2\sigma_3 + 4\sigma_1^3\sigma_3^2 \\ &\quad - 60\sigma_1^4 - 194\sigma_1^3\sigma_2 + 64\sigma_1^2\sigma_2^2 - 4\sigma_1\sigma_2^3 + 8\sigma_2^4 + 4\sigma_1^3\sigma_3 + 60\sigma_1^2\sigma_2\sigma_3 \\ &\quad - 36\sigma_1\sigma_2^2\sigma_3 + 4\sigma_2^3\sigma_3 - 18\sigma_1\sigma_2\sigma_3^2 + \sigma_1^3 + 318\sigma_1^2\sigma_2 + 180\sigma_1\sigma_2^2 - 56\sigma_2^3 \\ &\quad + 261\sigma_1^2\sigma_3 - 108\sigma_1\sigma_2\sigma_3 - 36\sigma_2^2\sigma_3 - 81\sigma_1\sigma_3^2 + 54\sigma_2\sigma_3^2 + 27\sigma_3^3 + 684\sigma_1^2 \\ &\quad - 576\sigma_1\sigma_2 - 144\sigma_2^2 - 648\sigma_1\sigma_3 + 108\sigma_3^2 - 2160\sigma_1 + 864\sigma_2 + 432\sigma_3 + 1728\end{aligned}$$

whose projective closure is parameterized by the map

$$\begin{aligned}\phi &: \mathbb{P}^2 \rightarrow \overline{S} \subset \mathbb{P}^3 \\ (x : y : z) &\mapsto (\phi_1 : \phi_2 : \phi_3 : \phi_4)\end{aligned}$$

for

$$\phi_1 = \frac{1}{12}x^5y + 6x^5z + 2x^4yz + 24x^4z^2 + 18x^3yz^2 + 72x^2yz^3 + 288x^2z^4$$

$$\begin{aligned}
 &+ 108xyz^4 - 864xz^5 \\
 \phi_2 &= \frac{13}{24}x^5y + 9x^5z + \frac{37}{4}x^4yz - 27x^4z^2 + 51x^3yz^2 + 216x^3z^3 + 90x^2yz^3 \\
 &\quad - 504x^2z^4 + 54xyz^4 - 432xz^5 + 324yz^5 + 1296z^6 \\
 \phi_3 &= x^5y + \frac{23}{2}x^4yz + 36x^3yz^2 + 36x^2yz^3 - 648yz^5 \\
 \phi_4 &= x^5z + \frac{23}{2}x^4z^2 + 36x^3z^3 + 36x^2z^4 - 648z^6.
 \end{aligned}$$

This surface is singular with singular locus given by the conjugacy classes described by

$$\{(a, b) : a = b\} \cup \{(a, b) : a + b = -6\} \cup \{(a, b) : b = \frac{3}{a + 2}\}.$$

Proof. To obtain the surface equations, take the fixed point multiplier invariants and consider the ideal generated by

$$\begin{aligned}
 &(a^2b + ab^2 - 2ab + 3a + 3b - 6) - (ab - 1)\sigma_1, \\
 &(a^3b^3 - 2a^3b^2 - 2a^2b^3 + 4a^3b + 7a^2b^2 + 4ab^3 - 8a^2b - 8ab^2 + 7ab \\
 &\quad - 6a - 6b + 9) - (ab - 1)^2\sigma_2, \\
 &(-2a^3b^3 + 5a^3b^2 + 5a^2b^3 - 4a^3b - 12a^2b^2 - 4ab^3 + 4a^3 + 14a^2b + 14ab^2 \\
 &\quad + 4b^3 - 12a^2 - 18ab - 12b^2 + 9a + 9b) - (ab - 1)^2\sigma_3.
 \end{aligned}$$

We saturate by the ideal $(ab - 1)$ to avoid the parameters where the family is degenerate and compute the elimination ideal to eliminate the variables a and b . This results in the single equation in $(\sigma_1, \sigma_2, \sigma_3)$ in the statement.

The parameterization was computed in Magma and is easily checked by substituting $(\sigma_1, \sigma_2, \sigma_3) = (\phi_1/\phi_4, \phi_2/\phi_4, \phi_3/\phi_4)$ into the surface equation.

The singular locus is also computed in Magma and its irreducible components computed in Sage are given by

$$\begin{aligned}
 S_1 &: \begin{cases} \sigma_3 = 4 \\ \sigma_2 = 6 \\ \sigma_1 = 4 \end{cases} \\
 S_2 &: \begin{cases} \sigma_1 - 2\sigma_2 - \sigma_3 + 12 = 0 \\ 4\sigma_2^2 + 4\sigma_2\sigma_3 + \sigma_3^2 - 60\sigma_2 - 28\sigma_3 + 216 = 0 \end{cases} \\
 S_3 &: \begin{cases} \sigma_2^2 - 3\sigma_1\sigma_3 - 24\sigma_1 + 12\sigma_2 + 36 = 0 \\ 6\sigma_1^2 + \sigma_1\sigma_2 + 15\sigma_1 - 18\sigma_2 - 9\sigma_3 - 36 = 0. \end{cases}
 \end{aligned}$$

To analyze the components, we proceed similarly through elimination of variables. Starting with the ideal defined by the equations of the component along with the defining equations of the fixed point multiplier invariants we eliminate $(\sigma_1, \sigma_2, \sigma_3)$ to get an ideal in a and b . Then we saturate by $(ab - 1)$ to

avoid the degenerate elements. The component S_1 corresponds to the degenerate case $a = b = 1$.

The component S_2 results in the components

$$(a + b + 6)(b - a)^2 = 0.$$

When $a = b$, this is the component of $\mathcal{A}_3(D_2)$ from Proposition 3.2.

The component S_3 results in the components

$$(ab + 2b - 3)^2(ab + 2a - 3)^2 = 0.$$

These correspond to $a = \frac{3}{b+2}$ and $b = \frac{3}{a+2}$. Since $f_{a,b}$ and $f_{b,a}$ are conjugate by $\alpha(z) = \frac{1}{z}$, this is a single component in the moduli space. \square

Now we move to the next family with a C_2 symmetry, $g_{a,b}(z) = \frac{az^2+1}{z^3+bz}$.

Lemma 3.7. For the family $g_{a,b}(z) = \frac{az^2+1}{z^3+bz}$, the image of the map $\tau_1 : [g_{a,b}] \mapsto (\sigma_1, \sigma_2, \sigma_3)$ is a curve given by

$$\begin{aligned} 0 &= \sigma_3 - 2\sigma_2 - \sigma_1 + 12 \\ 0 &= 4\sigma_2^2 + 4\sigma_2\sigma_1 + \sigma_1^2 - 60\sigma_2 - 28\sigma_1 + 216. \end{aligned}$$

Proof. The fixed point multiplier invariants give the equations

$$\begin{aligned} 0 &= (4a^2 - 4ab + 4b^2 + 12) - \sigma_1(ab - 1) \\ 0 &= (4a^4 - 12a^3b + 22a^2b^2 - 12ab^3 + 4b^4 + 28a^2 - 52ab + 28b^2 + 54) \\ &\quad - \sigma_2(a^2b^2 - 2ab + 1) \\ 0 &= (-8a^4 + 28a^3b - 36a^2b^2 + 28ab^3 - 8b^4 - 60a^2 + 96ab - 60b^2 - 108) \\ &\quad - \sigma_3(a^2b^2 - 2ab + 1). \end{aligned}$$

Saturating with respect to $(ab - 1)$ to avoid degeneracy and eliminating a and b give the stated equations. \square

To study the geometry of this family, we need to use the multiplier invariants of the periodic points of period 2.

Lemma 3.8. Define $g_{a,b}(z) = \frac{az^2+1}{z^3+bz}$. The map

$$\begin{aligned} \varphi : \mathbb{A}^2 \setminus \{ab = 1\} &\rightarrow \mathcal{M}_3 \\ (a, b) &\mapsto [g_{a,b}] \end{aligned}$$

is four-to-one. The map

$$\begin{aligned} \tau_1 : \varphi(\mathbb{A}^2 \setminus \{ab = 1\}) &\rightarrow \mathbb{A}^5 \\ [g_{a,b}] &\mapsto (\sigma_1^{(1)}, \sigma_2^{(1)}, \sigma_3^{(1)}, \sigma_1^{(2)}, \sigma_2^{(2)}) \end{aligned}$$

is injective.

Proof. To compute the degree of φ , we consider the ideal generated by

$$\begin{aligned} & (\sigma_1(a, b), \sigma_2(a, b), \sigma_3(a, b), \sigma_1^{(2)}(a, b), \sigma_2^{(2)}(a, b)) \\ &= (\sigma_1(c, d), \sigma_2(c, d), \sigma_3(c, d), \sigma_1^{(2)}(c, d), \sigma_2^{(2)}(c, d)) \end{aligned}$$

as an ideal in $K[a, b]$ where K is the function field $\overline{\mathbb{Q}}(c, d)$. This forms a zero dimensional variety and Singular (via Sage) computes the degree of its projective closure as 4. For (almost) every choice of (c, d) , we have the four pairs $(a, b) \in \{(c, d), (d, c), (-c, -d), (-d, -c)\}$. The functions $g_{a,b}(z)$ and $g_{b,a}(z)$ are conjugate via $\alpha_1(z) = \frac{1}{z}$, and $g_{a,b}(z)$ and $g_{-a,-b}(z)$ are conjugate via $\alpha_2(-z) = iz$. So the four points with the same \mathbb{A}^5 coordinates all are from the same conjugacy class. \square

Proposition 3.9. The component of $\mathcal{A}_3(C_2)$ given by $g_{a,b}(z) = \frac{az^2+1}{z^3+bz}$ is an irreducible surface defined by

$$\begin{aligned} 0 &= \sigma_1 - 2\sigma_2 - \sigma_3 + 12 \\ 0 &= 4\sigma_2^2 + 4\sigma_2\sigma_3 + \sigma_3^2 - 60\sigma_2 - 28\sigma_3 + 216 \\ 0 &= 1632\sigma_2\sigma_3^5 + 792\sigma_3^6 + 3648\sigma_2\sigma_3^4\sigma_1^{(2)} + 1760\sigma_3^5\sigma_1^{(2)} + 1248\sigma_2\sigma_3^3(\sigma_1^{(2)})^2 + 596\sigma_3^4(\sigma_1^{(2)})^2 \\ &\quad - 1152\sigma_2\sigma_3^2(\sigma_1^{(2)})^3 - 544\sigma_3^3(\sigma_1^{(2)})^3 - 216\sigma_2\sigma_3(\sigma_1^{(2)})^4 - 98\sigma_3^2(\sigma_1^{(2)})^4 + 96\sigma_2(\sigma_1^{(2)})^5 + 40\sigma_3(\sigma_1^{(2)})^5 \\ &\quad + (\sigma_1^{(2)})^6 - 414816\sigma_2\sigma_3^4 - 195424\sigma_3^5 - 602880\sigma_2\sigma_3^3\sigma_1^{(2)} - 284512\sigma_3^4\sigma_1^{(2)} - 111648\sigma_2\sigma_3^2(\sigma_1^{(2)})^2 \\ &\quad - 53760\sigma_3^3(\sigma_1^{(2)})^2 + 54720\sigma_2\sigma_3(\sigma_1^{(2)})^3 + 28048\sigma_3^2(\sigma_1^{(2)})^3 + 1176\sigma_2(\sigma_1^{(2)})^4 + 1480\sigma_3(\sigma_1^{(2)})^4 \\ &\quad - 624(\sigma_1^{(2)})^5 + 5248\sigma_2\sigma_3^3\sigma_2^{(2)} + 2512\sigma_3^4\sigma_2^{(2)} + 6784\sigma_2\sigma_3^2\sigma_1^{(2)}\sigma_2^{(2)} + 3200\sigma_3^3\sigma_1^{(2)}\sigma_2^{(2)} \\ &\quad - 128\sigma_2\sigma_3(\sigma_1^{(2)})^2\sigma_2^{(2)} - 64\sigma_3^2(\sigma_1^{(2)})^2\sigma_2^{(2)} - 768\sigma_2(\sigma_1^{(2)})^3\sigma_2^{(2)} - 320\sigma_3(\sigma_1^{(2)})^3\sigma_2^{(2)} - 12(\sigma_1^{(2)})^4\sigma_2^{(2)} \\ &\quad + 18436608\sigma_2\sigma_3^3 + 9945984\sigma_3^4 + 16035200\sigma_2\sigma_3^2\sigma_1^{(2)} + 9804928\sigma_3^3\sigma_1^{(2)} + 1465472\sigma_2\sigma_3(\sigma_1^{(2)})^2 \\ &\quad + 1204512\sigma_3^2(\sigma_1^{(2)})^2 - 313536\sigma_2(\sigma_1^{(2)})^3 - 434624\sigma_3(\sigma_1^{(2)})^3 - 6720(\sigma_1^{(2)})^4 - 515968\sigma_2\sigma_3^2\sigma_2^{(2)} \\ &\quad - 247040\sigma_3^3\sigma_2^{(2)} - 306944\sigma_2\sigma_3\sigma_1^{(2)}\sigma_2^{(2)} - 158400\sigma_3^2\sigma_1^{(2)}\sigma_2^{(2)} + 9984\sigma_2(\sigma_1^{(2)})^2\sigma_2^{(2)} \\ &\quad + 4736\sigma_3(\sigma_1^{(2)})^2\sigma_2^{(2)} + 4992(\sigma_1^{(2)})^3\sigma_2^{(2)} + 3968\sigma_2\sigma_3(\sigma_2^{(2)})^2 + 1824\sigma_3^2(\sigma_2^{(2)})^2 + 1536\sigma_2\sigma_1^{(2)}(\sigma_2^{(2)})^2 \\ &\quad + 640\sigma_3\sigma_1^{(2)}(\sigma_2^{(2)})^2 + 48(\sigma_1^{(2)})^2(\sigma_2^{(2)})^2 - 244431360\sigma_2\sigma_3^2 - 201129984\sigma_3^3 - 120701952\sigma_2\sigma_3\sigma_1^{(2)} \\ &\quad - 138880512\sigma_3^2\sigma_1^{(2)} - 5380992\sigma_2(\sigma_1^{(2)})^2 - 10551168\sigma_3(\sigma_1^{(2)})^2 + 1890944(\sigma_1^{(2)})^3 \\ &\quad + 7087104\sigma_2\sigma_3\sigma_2^{(2)} + 5656320\sigma_3^2\sigma_2^{(2)} + 1651968\sigma_2\sigma_1^{(2)}\sigma_2^{(2)} + 2407680\sigma_3\sigma_1^{(2)}\sigma_2^{(2)} \\ &\quad - 59520(\sigma_1^{(2)})^2\sigma_2^{(2)} - 58752\sigma_2(\sigma_2^{(2)})^2 - 42624\sigma_3(\sigma_2^{(2)})^2 - 9984\sigma_1^{(2)}(\sigma_2^{(2)})^2 - 64(\sigma_2^{(2)})^3 \\ &\quad + 1187592192\sigma_2\sigma_3 + 1880381952\sigma_3^2 + 265006080\sigma_2\sigma_1^{(2)} + 812934144\sigma_3\sigma_1^{(2)} + 32237568(\sigma_1^{(2)})^2 \\ &\quad - 20653056\sigma_2\sigma_2^{(2)} - 49351680\sigma_3\sigma_2^{(2)} - 9967104\sigma_1^{(2)}\sigma_2^{(2)} + 345600(\sigma_2^{(2)})^2 - 1903564800\sigma_2 \\ &\quad - 7759079424\sigma_3 - 1591031808\sigma_1^{(2)} + 123669504\sigma_2^{(2)} + 11418402816 \\ 0 &= 1224\sigma_3^7 + 3792\sigma_3^6\sigma_1^{(2)} - 46800\sigma_2\sigma_3^4(\sigma_1^{(2)})^2 - 20564\sigma_3^5(\sigma_1^{(2)})^2 - 79680\sigma_2\sigma_3^3(\sigma_1^{(2)})^3 - 40856\sigma_3^4(\sigma_1^{(2)})^3 \\ &\quad + 1680\sigma_2\sigma_3^2(\sigma_1^{(2)})^4 - 374\sigma_3^3(\sigma_1^{(2)})^4 + 27600\sigma_2\sigma_3(\sigma_1^{(2)})^5 + 13988\sigma_3^2(\sigma_1^{(2)})^5 - 5580\sigma_2(\sigma_1^{(2)})^6 \\ &\quad - 2665\sigma_3(\sigma_1^{(2)})^6 - 22(\sigma_1^{(2)})^7 + 670152\sigma_3^6 + 26777472\sigma_2\sigma_3^4\sigma_1^{(2)} + 14457920\sigma_3^5\sigma_1^{(2)} \\ &\quad + 27403200\sigma_2\sigma_3^3(\sigma_1^{(2)})^2 + 13581308\sigma_3^4(\sigma_1^{(2)})^2 - 17123904\sigma_2\sigma_3^2(\sigma_1^{(2)})^3 - 8575280\sigma_3^3(\sigma_1^{(2)})^3 \\ &\quad - 7057920\sigma_2\sigma_3(\sigma_1^{(2)})^4 - 3318902\sigma_3^2(\sigma_1^{(2)})^4 + 3338448\sigma_2(\sigma_1^{(2)})^5 + 1331704\sigma_3(\sigma_1^{(2)})^5 + 78251(\sigma_1^{(2)})^6 \\ &\quad + 120768\sigma_2\sigma_3^4\sigma_2^{(2)} + 66096\sigma_3^5\sigma_2^{(2)} + 204416\sigma_2\sigma_3^3\sigma_1^{(2)}\sigma_2^{(2)} + 114464\sigma_3^4\sigma_1^{(2)}\sigma_2^{(2)} \\ &\quad - 142720\sigma_2\sigma_3^2(\sigma_1^{(2)})^2\sigma_2^{(2)} - 67136\sigma_3^3(\sigma_1^{(2)})^2\sigma_2^{(2)} - 179968\sigma_2\sigma_3(\sigma_1^{(2)})^3\sigma_2^{(2)} - 93248\sigma_3^2(\sigma_1^{(2)})^3\sigma_2^{(2)} \end{aligned}$$

$$\begin{aligned}
& + 58512\sigma_2(\sigma_1^{(2)})^4\sigma_2^{(2)} + 28460\sigma_3(\sigma_1^{(2)})^4\sigma_2^{(2)} + 264(\sigma_1^{(2)})^5\sigma_2^{(2)} - 8650305696\sigma_2\sigma_3^4 - 4002683936\sigma_3^5 \\
& - 14959662720\sigma_2\sigma_3^3\sigma_1^{(2)} - 6856974368\sigma_3^4\sigma_1^{(2)} - 3459567584\sigma_2\sigma_3^2(\sigma_1^{(2)})^2 - 1619872288\sigma_3^3(\sigma_1^{(2)})^2 \\
& + 1631518720\sigma_2\sigma_3(\sigma_1^{(2)})^3 + 743089904\sigma_3^2(\sigma_1^{(2)})^3 + 44906280\sigma_2(\sigma_1^{(2)})^4 + 48051640\sigma_3(\sigma_1^{(2)})^4 \\
& - 22136400(\sigma_1^{(2)})^5 + 53976320\sigma_2\sigma_3^3\sigma_2^{(2)} + 28303472\sigma_3^4\sigma_2^{(2)} + 128916096\sigma_2\sigma_3^2\sigma_1^{(2)}\sigma_2^{(2)} \\
& + 63843648\sigma_3^3\sigma_1^{(2)}\sigma_2^{(2)} + 5531008\sigma_2\sigma_3(\sigma_1^{(2)})^2\sigma_2^{(2)} + 2665024\sigma_3^2(\sigma_1^{(2)})^2\sigma_2^{(2)} - 27134208\sigma_2(\sigma_1^{(2)})^3\sigma_2^{(2)} \\
& - 11018304\sigma_3(\sigma_1^{(2)})^3\sigma_2^{(2)} - 884100(\sigma_1^{(2)})^4\sigma_2^{(2)} + 352512\sigma_2\sigma_3^2(\sigma_2^{(2)})^2 + 184416\sigma_3^3(\sigma_2^{(2)})^2 \\
& + 278272\sigma_2\sigma_3\sigma_1^{(2)}(\sigma_2^{(2)})^2 + 149184\sigma_3^2\sigma_1^{(2)}(\sigma_2^{(2)})^2 - 200256\sigma_2(\sigma_1^{(2)})^2(\sigma_2^{(2)})^2 - 99760\sigma_3(\sigma_1^{(2)})^2(\sigma_2^{(2)})^2 \\
& - 1056(\sigma_1^{(2)})^3(\sigma_2^{(2)})^2 + 516653715456\sigma_2\sigma_3^3 + 263589240192\sigma_3^4 + 484361825920\sigma_2\sigma_3^2\sigma_1^{(2)} \\
& + 278148291968\sigma_3^3\sigma_1^{(2)} + 48513480448\sigma_2\sigma_3(\sigma_1^{(2)})^2 + 38458271328\sigma_3^2(\sigma_1^{(2)})^2 - 10359552576\sigma_2(\sigma_1^{(2)})^3 \\
& - 13327529920\sigma_3(\sigma_1^{(2)})^3 - 254963456(\sigma_1^{(2)})^4 - 14139669632\sigma_2\sigma_3^2\sigma_2^{(2)} - 6383313328\sigma_3^3\sigma_2^{(2)} \\
& - 9563209216\sigma_2\sigma_3\sigma_1^{(2)}\sigma_2^{(2)} - 4488508992\sigma_3^2\sigma_1^{(2)}\sigma_2^{(2)} + 294902016\sigma_2(\sigma_1^{(2)})^2\sigma_2^{(2)} \\
& + 92512768\sigma_3(\sigma_1^{(2)})^2\sigma_2^{(2)} + 179583360(\sigma_1^{(2)})^3\sigma_2^{(2)} + 98552320\sigma_2\sigma_3(\sigma_2^{(2)})^2 \\
& + 46508640\sigma_3^2(\sigma_2^{(2)})^2 + 55121664\sigma_2\sigma_3(\sigma_1^{(2)})^2(\sigma_2^{(2)})^2 + 22765952\sigma_3\sigma_1^{(2)}(\sigma_2^{(2)})^2 + 3316752(\sigma_1^{(2)})^2(\sigma_2^{(2)})^2 \\
& + 221952\sigma_2(\sigma_2^{(2)})^3 + 114240\sigma_3(\sigma_2^{(2)})^3 + 1408\sigma_1^{(2)}(\sigma_2^{(2)})^3 - 7578572244480\sigma_2\sigma_3^2 - 5917873162752\sigma_3^3 \\
& - 3908513912832\sigma_2\sigma_3\sigma_1^{(2)} - 4290578293248\sigma_3^2\sigma_1^{(2)} - 184908562560\sigma_2(\sigma_1^{(2)})^2 \\
& - 351150788736\sigma_3(\sigma_1^{(2)})^2 + 62583639424(\sigma_1^{(2)})^3 + 225002594304\sigma_2\sigma_3\sigma_2^{(2)} + 166476388608\sigma_3^2\sigma_2^{(2)} \\
& + 55674839808\sigma_2\sigma_1^{(2)}\sigma_2^{(2)} + 76642562304\sigma_3\sigma_1^{(2)}\sigma_2^{(2)} - 1751409024(\sigma_1^{(2)})^2\sigma_2^{(2)} - 1933117056\sigma_2(\sigma_2^{(2)})^2 \\
& - 1197765504\sigma_3(\sigma_2^{(2)})^2 - 364151040\sigma_1^{(2)}(\sigma_2^{(2)})^2 - 4129472(\sigma_2^{(2)})^3 + 38553253060608\sigma_2\sigma_3 \\
& + 58922313076224\sigma_3^2 + 8872947753984\sigma_2\sigma_1^{(2)} + 26426257744896\sigma_3\sigma_1^{(2)} + 1107358166016(\sigma_1^{(2)})^2 \\
& - 687110999040\sigma_2\sigma_2^{(2)} - 1576478785536\sigma_3\sigma_2^{(2)} - 336460829184\sigma_1^{(2)}\sigma_2^{(2)} + 11296544256(\sigma_2^{(2)})^2 \\
& - 63399291660288\sigma_2 - 252407226636288\sigma_3 - 53281131595776\sigma_1^{(2)} + 4111788303360\sigma_2^{(2)} \\
& + 380265217671168.
\end{aligned}$$

This surface is singular with singular locus given by the conjugacy classes described by

$$\{(a, b) : a^2 - ab + b^2 + 3 = 0\} \cup \{(a, b) : a = -b\}.$$

Proof. We compute the fixed point multiplier invariants and the first two multiplier invariants for the points of period 2:

$$\begin{aligned}
\sigma_1 &= \frac{4a^2 - 4ab + 4b^2 + 12}{ab - 1} \\
\sigma_2 &= \frac{4a^4 - 12a^3b + 22a^2b^2 - 12ab^3 + 4b^4 + 28a^2 - 52ab + 28b^2 + 54}{a^2b^2 - 2ab + 1} \\
\sigma_3 &= \frac{-8a^4 + 28a^3b - 36a^2b^2 + 28ab^3 - 8b^4 - 60a^2 + 96ab - 60b^2 - 108}{a^2b^2 - 2ab + 1} \\
\sigma_1^{(2)} &= \frac{2a^3b^3 + 16a^4 + 4a^2b^2 + 16b^4 + 18ab + 72}{a^2b^2 - 2ab + 1} \\
\sigma_2^{(2)} &= \frac{1}{(ab - 1)^4} (a^6b^6 + 32a^7b^3 + 12a^5b^5 + 32a^3b^7 + 96a^8 + 16a^6b^2 \\
& + 290a^4b^4 + 16a^2b^6 + 96b^8 + 512a^5b + 204a^3b^3 + 512ab^5 + 80a^4 \\
& - 151a^2b^2 + 80b^4 + 2268).
\end{aligned}$$

We clear denominators to create the associated ideal. We saturate by the ideal $(ab - 1)$ to avoid degeneracy and eliminate the variables a and b . This results in the surface defined by the four equations in the statement.

The irreducible components of the singular locus are calculated in Magma. For each component, we eliminate variables to have equations in $(\sigma_1, \sigma_2, \sigma_3)$ to get

$$\begin{aligned}
 S_1 : & \begin{cases} 0 = \sigma_2^2 - 24\sigma_2 - 4\sigma_3 + 108 \\ 0 = \sigma_2\sigma_3 + 36\sigma_2 + 6\sigma_3 - 216 \\ 0 = \sigma_3^2 - 108\sigma_2 - 36\sigma_3 + 648 \\ 0 = \sigma_1 - 2\sigma_2 - \sigma_3 + 12 \end{cases} \\
 S_2 : & \begin{cases} 0 = \sigma_2^2 - 3048\sigma_2 - 1372\sigma_3 + 13500 \\ 0 = \sigma_2\sigma_3 + 6408\sigma_2 + 2886\sigma_3 - 28512 \\ 0 = \sigma_3^2 - 13500\sigma_2 - 6084\sigma_3 + 60264 \\ 0 = \sigma_1 - 2\sigma_2 - \sigma_3 + 12 \end{cases} \\
 S_3 : & \begin{cases} 0 = \sigma_3^3 + 549\sigma_3^2 - 3037500\sigma_2 - 1333908\sigma_3 + 14819112 \\ 0 = \sigma_2^2 - 7/30\sigma_3^2 + 102\sigma_2 + 238/5\sigma_3 - 2808/5 \\ 0 = \sigma_2\sigma_3 + 29/60\sigma_3^2 - 117\sigma_2 - 273/5\sigma_3 + 3078/5 \\ 0 = \sigma_1 - 2\sigma_2 - \sigma_3 + 12. \end{cases}
 \end{aligned}$$

To determine the pairs (a, b) for each of these components, we add in the equations defining the invariants in terms of a and b and eliminate $\sigma_1, \sigma_2, \sigma_3$. This results in the defining equations

$$\begin{aligned}
 S_1 : & (a^2 - ab + b^2 + 3)^3 = 0 \\
 S_2 : & (a + b)^6 = 0 \\
 S_3 : & (a + b)^8 = 0.
 \end{aligned}$$

Note that the component(s) with $a = -b$ is the component of $\mathcal{A}_3(D_2)$ from Proposition 3.4. □

4. Automorphism loci in \mathcal{M}_4

As for \mathcal{A}_3 we utilize Miasnikov, Stout, and Williams [MSW14] to determine the possible components of \mathcal{A}_4 and their dimensions. Unlike in \mathcal{M}_3 , in \mathcal{M}_4 there are no automorphism groups other than cyclic and dihedral ones.

Lemma 4.1. When $\deg(f) = 4$, $\text{Aut}(f)$ must either be C_2, C_3, C_4, C_5, D_3 , or D_5 . The dimensions of $\mathcal{A}_4(\Gamma)$ for these groups are given by

- (1) $\dim \mathcal{A}_4(C_2) = 3, \dim \mathcal{A}_4(C_3) = 2, \dim \mathcal{A}_4(C_4) = 1$, and $\dim \mathcal{A}_4(C_5) = 0$.
- (2) $\dim \mathcal{A}_4(D_3) = 1$, and $\dim \mathcal{A}_4(D_5) = 0$.

Moreover,

- (4) $\mathcal{A}_4(C_4) \subset \mathcal{A}_4(C_2)$.

- (5) $\mathcal{A}_4(D_3) \subset \mathcal{A}_4(C_3)$.
 (6) $\mathcal{A}_4(D_5) \subset \mathcal{A}_4(C_5)$.

Proof. Which groups occur and their dimensions are calculated in Section 2 of MSW [MSW14]. The second half follows from the observation that if G is a subgroup of H , then $\mathcal{A}_d(H) \subseteq \mathcal{A}_d(G)$. \square

The analysis in \mathcal{M}_4 for functions whose automorphism group contains cyclic and dihedral groups is more or less the same as in \mathcal{M}_3 – in particular, we made use of the fact that for a function f , if $\text{Aut}(f) \supseteq C_n$ then the equivalence class of f in \mathcal{M}_4 can be written as $f = z \cdot \psi(z^n)$, where ψ is a rational function [Sil95, Proposition 7.3].

4.1. $\mathcal{A}_4(C_5)$ and $\mathcal{A}_4(D_5)$.

Proposition 4.2. The loci $\mathcal{A}_4(C_5)$ and $\mathcal{A}_4(D_5)$ both are the single conjugacy class given by $f(z) = \frac{1}{z^4}$.

Proof. The only form ψ can take such that $z \cdot \psi(z^5)$ is degree four is when $\psi(z^5) = \frac{a}{bz^5}$, where $ab \neq 0$. We can divide through by a to write $z \cdot \psi(z^5) = \frac{1}{cz^4}$; and since this is conjugate to $f(z) = \frac{1}{z^4}$, we know that $\mathcal{A}_4(C_5)$ is just a point in \mathcal{M}_4 . Furthermore, $\text{Aut}(f) = D_5$ so that $\mathcal{A}_4(C_5) = \mathcal{A}_4(D_5)$. \square

4.2. $\mathcal{A}_4(C_4)$.

Proposition 4.3. The locus $\mathcal{A}_4(C_4)$ is an irreducible curve in \mathcal{M}_4 given by the 1-parameter family $f_k(z) = \frac{z^4+1}{kz^3}$ for $k \neq 0$.

Proof. Functions of the form $f(z) = z \cdot \psi(z^4)$ have degree 4 only when

$$f_1(z) = \frac{az^4 + b}{cz^3} \quad \text{or} \quad f_2(z) = \frac{bz}{cz^4 + d},$$

where all the coefficients must be nonzero (or else we have a drop in degree due to cancellation). Thus, in both cases we can divide through by the coefficient of z^4 to have two-parameter families. Then in the first case, we can conjugate $f_1(z) = \frac{z^4+k_1}{k_2z^3}$ via the matrix $\alpha = \begin{bmatrix} \sqrt[4]{k_1} & 0 \\ 0 & 1 \end{bmatrix}$ to get a one-parameter family

$f'_1(z) = \frac{z^4+1}{kz^3}$, which is what we should expect since the dimension of this locus is 1 by Lemma 4.1. In the second case, we can conjugate $f_2(z) = \frac{k_1z}{z^4+k_2}$ by the

matrix $\beta = \begin{bmatrix} \sqrt[4]{k_2} & 0 \\ 0 & 1 \end{bmatrix}$ to get a one-parameter family $f'_2(z) = \frac{kz}{z^4+1}$. These two

one-parameter families are conjugate via $\begin{bmatrix} 0 & 1 \\ 1 & 0 \end{bmatrix}$, so they are the same family in the moduli space. \square

4.3. $\mathcal{A}_4(C_3)$ and $\mathcal{A}_4(D_3)$.

Proposition 4.4. The locus $\mathcal{A}_4(C_3)$ is given by the family $f_{k_1, k_2}(z) = \frac{z^4 + k_1 z}{k_2 z^3 + 1}$.

Proof. By Lemma 4.1 the locus $\mathcal{A}_4(C_3)$ is dimension 2 and functions of the form $f(z) = z \cdot \psi(z^3)$ have degree 4 only when

$$f(z) = \frac{az^4 + bz}{cz^3 + d},$$

where $a \neq 0$ and $d \neq 0$. Thus, dividing through by a , we get the 3-parameter family

$$f(z) = \frac{z^4 + k_1 z}{k_2 z^3 + k_3},$$

where $k_3 \neq 0$. Conjugating via the matrix $\alpha = \begin{bmatrix} \sqrt[3]{k_3} & 0 \\ 0 & 1 \end{bmatrix}$, we get

$$f^\alpha(z) = \frac{(\sqrt[3]{k_3} z)^4 + k_1 \sqrt[3]{k_3} z}{k_2 (\sqrt[3]{k_3} z)^3 + k_3} \cdot \frac{1}{\sqrt[3]{k_3}} = \frac{k_3 z^4 + k_1 z}{k_2 k_3 z^3 + k_3} = \frac{z^4 + k_1/k_3 z}{k_2 z^3 + 1}.$$

Renaming $k_1 = k_1/k_3$ and $k_2 = k_2$, we see that $f^\alpha(z) = \frac{z^4 + k_1 z}{k_2 z^3 + 1}$. Thus, every degree 4 rational map with a C_3 automorphism is conjugate to a map of the form

$$f_{k_1, k_2}(z) = \frac{z^4 + k_1 z}{k_2 z^3 + 1}.$$

□

Recall that D_3 is generated by $\alpha_1(z) = \zeta_3 z$ and $\alpha_2(z) = 1/z$, where ζ_3 is a primitive third root of unity. Maps with automorphism group containing $\zeta_3 z$ are described in Proposition 4.4, so we can start with that family and see which members additionally have α_2 as automorphism.

Proposition 4.5. The locus $\mathcal{A}_4(D_3)$ is an irreducible curve in \mathcal{M}_4 given by the family $f_k(z) = \frac{z^4 + kz}{kz^3 + 1}$.

Proof. Let $f_{k_1, k_2}(z) = \frac{z^4 + k_1 z}{k_2 z^3 + 1}$. We compute

$$f_{k_1, k_2}^{\alpha_2}(z) = \frac{z^4 + k_2 z}{k_1 z^3 + 1}.$$

So for $f_{k_1, k_2}(z) = f_{k_1, k_2}^{\alpha_2}(z)$ we must have $k_1 = k_2$.

□

4.4. $\mathcal{A}_4(C_2)$.

Proposition 4.6. The locus $\mathcal{A}_4(C_2)$ is given by the 3-parameter family

$$f_{k_1,k_2,k_3}(z) = \frac{z^4 + k_1z^2 + 1}{k_2z^3 + k_3z}.$$

Proof. By Lemma 4.1 we know the automorphism loci of C_2 in the moduli space has dimension 3. Furthermore, we know that a degree 4 map f has a C_2 automorphism if and only if it is of the form

$$f_1(z) = \frac{az^4 + bz^2 + c}{dz^3 + ez} \quad \text{or} \quad f_2(z) = \frac{az^3 + bz}{cz^4 + dz^2 + e}.$$

First observe that for the family $f_2(z)$, we can conjugate by the matrix $\beta = \begin{bmatrix} 0 & 1 \\ 1 & 0 \end{bmatrix}$ to obtain

$$f_2^\beta(z) = \frac{c + dz^2 + ez^4}{az + bz^3}.$$

Thus, the families f_1 and f_2 are the same in moduli space, so we consider only $f_1(z)$. For $f_1(z)$ to be degree 4, we need $a \neq 0$ and $c \neq 0$. Dividing through by a , we get

$$f_1(z) = \frac{z^4 + k_1z^2 + k_2}{k_3z^3 + k_4z},$$

where $k_2 \neq 0$. Conjugating via the matrix $\alpha = \begin{bmatrix} \sqrt[4]{k_2} & 0 \\ 0 & 1 \end{bmatrix}$, we get

$$f_1^\alpha(z) = \frac{(\sqrt[4]{k_2})^4 z^4 + k_1(\sqrt[4]{k_2})^2 z^2 + k_2}{k_3(\sqrt[4]{k_2})^3 z^3 + k_4 \sqrt[4]{k_2} z} \cdot \frac{1}{\sqrt[4]{k_2}} = \frac{z^4 + \frac{k_1}{\sqrt[4]{k_2}} z^2 + 1}{k_3 z^3 + \frac{k_4}{\sqrt[4]{k_2}} z}.$$

Renaming $k_1 = \frac{k_1}{\sqrt[4]{k_2}}$, and $k_2 = k_3$, and $k_3 = \frac{k_4}{\sqrt[4]{k_2}}$, we see that every f_1 map is conjugate to a map of the form

$$f_{k_1,k_2,k_3}(z) = \frac{z^4 + k_1z^2 + 1}{k_2z^3 + k_3z}.$$

□

5. Geometry of certain automorphism loci in \mathcal{M}_4

In this section, we examine the geometry of automorphism loci $\mathcal{A}_4(\Gamma) \subset \mathcal{M}_4$. Similar to the methods in Section 3, we study the embedding via multiplier invariants

$$\begin{aligned} \tau_n : \mathcal{M}_4 &\rightarrow \mathbb{A}^k \\ [f] &\mapsto (\sigma_1^{(n)}, \dots, \sigma_{4^{n+1}}^{(n)}) \end{aligned}$$

and the geometry of the image of this embedding.

5.1. $\mathcal{A}_4(C_4)$. We start with the family $f_k(z) = \frac{z^4+1}{kz^3}$ for $k \neq 0$.

Lemma 5.1. The maps

$$\begin{aligned} \varphi : \mathbb{A}^1 \setminus \{0\} &\rightarrow \mathcal{M}_4 \\ k &\mapsto [f_k] \end{aligned}$$

and

$$\begin{aligned} \tau_1 : \varphi(\mathbb{A}^1 \setminus \{0\}) &\rightarrow \mathbb{A}^4 \\ [f_k] &\mapsto (\sigma_1^{(1)}, \sigma_2^{(1)}, \sigma_3^{(1)}, \sigma_4^{(1)}) \end{aligned}$$

are injective.

Proof. We show the composition $\tau_1 \circ \varphi$ is injective, and thus, both maps are injective.

Consider the ideal generated by

$$(\sigma_1(k_1), \sigma_2(k_1), \sigma_3(k_1), \sigma_4(k_1)) - (\sigma_1(k_2), \sigma_2(k_2), \sigma_3(k_2), \sigma_4(k_2))).$$

Computing its lexicographic Groebner basis, we get two generators:

$$\begin{aligned} k_1^2 + 8k_1 - k_2^2 - 8k_2, \\ k_1k_2^2 + 8k_1k_2 + 16k_1 - k_2^3 - 8k_2^2 - 16k_2. \end{aligned}$$

These factor as

$$\begin{aligned} (k_1 - k_2)(k_1 + k_2 + 8), \\ (k_1 - k_2)(k_2 + 4)^2. \end{aligned}$$

The first says that for f_{k_1} and f_{k_2} to have the same fixed point multiplier invariants, we must have $k_1 = k_2$ or $k_2 = -4$. However, if $k_2 = -4$, then the second generator tells us that $k_1 = -4$ and we are still in the case $k_1 = k_2$. Thus, the map φ and the map τ_1 are one-to-one. \square

Proposition 5.2. The curve in \mathbb{A}^4 given by the image of τ_1 on the family $f_k(z) = \frac{z^4+1}{kz^3}$ of $\mathcal{A}_4(C_4)$ is given by the system of equations

$$\begin{aligned} 0 &= 36\sigma_1^3 + 3\sigma_1^2\sigma_2 + 222\sigma_1^2 - 96\sigma_1\sigma_2 - 8\sigma_2^2 + 240\sigma_1 - 560\sigma_2 - 800 \\ 0 &= -12\sigma_1^2 - \sigma_1\sigma_2 - 14\sigma_1 + 32\sigma_2 + 6\sigma_3 + 40 \\ 0 &= 144\sigma_1^2 - \sigma_2^2 + 288\sigma_1 - 448\sigma_2 + 36\sigma_4 - 640. \end{aligned}$$

It is a singular irreducible curve of genus 0 and the singularity corresponds to the rational map

$$f(z) = \frac{z^4 + 1}{-4z^3}.$$

Proof. The fixed point multiplier invariants give the equations

$$\begin{aligned} 0 &= (k^2 - 12k + 16) - k\sigma_1 \\ 0 &= (-12k^3 + 70k^2 - 144k + 96) - k^2\sigma_2 \end{aligned}$$

$$0 = (54k^4 - 252k^3 + 528k^2 - 576k + 256) - k^3\sigma_3$$

$$0 = (-108k^5 + 513k^4 - 1008k^3 + 1120k^2 - 768k + 256) - k^4\sigma_4.$$

Saturating by the ideal (k) and looking at the generators gives the stated equations. Using Sage, we can determine that these relations define a singular, irreducible curve of genus 0 in \mathbb{A}^4 . The only point of singularity is

$$(-20, 160, -640, 1280)$$

and it corresponds to the rational map in the statement. \square

5.2. $\mathcal{A}_4(D_3)$. We now move on to the family $f_k(z) = \frac{z^4+kz}{kz^3+1}$ with $k \neq \pm 1$.

Lemma 5.3. The maps

$$\begin{aligned} \varphi : \mathbb{A}^1 \setminus \{\pm 1\} &\rightarrow \mathcal{M}_4 \\ k &\mapsto [f_k] \end{aligned}$$

and

$$\begin{aligned} \tau_1 : \varphi(\mathbb{A}^1 \setminus \{\pm 1\}) &\rightarrow \mathbb{A}^4 \\ [f_k] &\mapsto (\sigma_1^{(1)}, \sigma_2^{(1)}, \sigma_3^{(1)}, \sigma_4^{(1)}) \end{aligned}$$

are injective.

Proof. We show the composition $\tau_1 \circ \varphi$ is injective, and thus, both maps are injective.

We want to compute the ideal generated by

$$(\sigma_1(k_1), \sigma_2(k_2), \sigma_3(k_1), \sigma_4(k_1)) = (\sigma_1(k_2), \sigma_2(k_2), \sigma_3(k_2), \sigma_4(k_2)).$$

This gives the ideal generated by

$$\begin{aligned} k_1^2 + 8k_1 - k_2^2 - 8k_2, \\ k_1k_2^2 + 8k_1k_2 + 16k_1 - k_2^3 - 8k_2^2 - 16k_2. \end{aligned}$$

This ideal is the same as the ideal considered in the proof of Lemma 5.1, so the result follows at once. \square

Proposition 5.4. The curve given by the image of τ_1 on the family $f_k(z) = \frac{z^4+kz}{kz^3+1}$ of $\mathcal{A}_4(D_3)$ is defined by

$$0 = \sigma_1^4 - 14\sigma_1^3 - 7\sigma_1^2\sigma_2 + 67\sigma_1^2 + 44\sigma_1\sigma_2 + 12\sigma_2^2 - 360\sigma_1 - 160\sigma_2 + 1200$$

$$0 = \sigma_1^3 + 2\sigma_1^2 - 4\sigma_1\sigma_2 - 21\sigma_1 - 2\sigma_2 + 9\sigma_3 + 60$$

$$0 = -2\sigma_1^3 + 5\sigma_1^2 + 8\sigma_1\sigma_2 - 48\sigma_1 - 32\sigma_2 + 9\sigma_4 + 240.$$

It is a singular irreducible curve of genus 0, and the singularity $(-20, 160, -640, 1280)$ corresponds to the rational map

$$f(z) = \frac{z^4 - 4z}{-4z^3 + 1}.$$

Proof. The fixed point multiplier invariants give the equations

$$\begin{aligned} 0 &= (2k^2 - 4k + 12) - (k + 1)\sigma_1 \\ 0 &= (k^4 - 10k^3 + 25k^2 - 24k + 48) - (k^2 + 2k + 1)\sigma_2 \\ 0 &= (-6k^5 + 24k^4 - 62k^3 + 60k^2 + 64) - (k^3 + 3k^2 + 3k + 1)\sigma_3 \\ 0 &= (12k^5 - 52k^4 + 96k^3 - 144k^2 + 128k) - (k^3 + 3k^2 + 3k + 1)\sigma_4. \end{aligned}$$

Eliminating k gives the stated equations involving only the fixed point multiplier invariants. Choosing an appropriate monomial ordering, we arrive at the stated relations. These relations define a singular, irreducible curve of genus 0 in \mathbb{A}^4 . The only point of singularity is $(-20, 160, -640, 1280)$. This choice of fixed point multiplier invariants corresponds to the rational map in the statement. □

5.3. $\mathcal{A}_4(\mathbf{C}_3)$. Now we move on to study the family $f_{k_1, k_2}(z) = \frac{z^4 + k_1 z}{k_2 z^3 + 1}$, with $k_1 k_2 \neq 1$.

Lemma 5.5. The map

$$\begin{aligned} \varphi : \mathbb{A}^2 \setminus \{k_1 k_2 = 1\} &\rightarrow \mathcal{M}_4 \\ (k_1, k_2) &\mapsto [f_{k_1, k_2}] \end{aligned}$$

is two-to-one. The map

$$\begin{aligned} \tau_1 : \varphi(\mathbb{A}^2 \setminus \{k_1 k_2 = 1\}) &\rightarrow \mathbb{A}^3 \\ [f_k] &\mapsto (\sigma_1^{(1)}, \sigma_2^{(1)}, \sigma_3^{(1)}) \end{aligned}$$

is injective.

Proof. To compute the degree of φ , we consider the ideal generated by

$$(\sigma_1(k_1, k_2), \sigma_2(k_1, k_2), \sigma_3(k_1, k_2)) = (\sigma_1(t_1, t_2), \sigma_2(t_1, t_2), \sigma_3(t_1, t_2))$$

as an ideal in $K[k_1, k_2]$, where K is the function field $\overline{\mathbb{Q}}(t_1, t_2)$. This forms a zero dimensional variety, and Singular (via Sage) computes the degree of its projective closure as 2. For (almost) every choice of (t_1, t_2) we have two pairs $(k_1, k_2) \in \{(t_1, t_2), (t_2, t_1)\}$ and one can easily verify that f_{k_1, k_2} and f_{k_2, k_1} are conjugate via $\alpha(z) = \frac{1}{z}$. □

It is interesting to note that $\sigma_4^{(1)}$ is determined uniquely by $(\sigma_1^{(1)}, \sigma_2^{(1)}, \sigma_3^{(1)})$. This is not typical for elements of \mathcal{M}_4 . We do have the standard linear relationship between $(\sigma_1^{(1)}, \sigma_2^{(1)}, \sigma_3^{(1)})$ and $\sigma_5^{(1)}$ for all maps in \mathcal{M}_4 , but the dependence of $\sigma_4^{(1)}$ is special to this family.

Proposition 5.6. The image of the family $f_{k_1, k_2}(z) = \frac{z^4 + k_1 z}{k_2 z^3 + 1}$ of $\mathcal{A}_4(C_3)$ under τ_1 is the surface given by

$$\begin{aligned}
 0 = & 972\sigma_1^5 - 324\sigma_1^4\sigma_2 - 135\sigma_1^3\sigma_2^2 - 54\sigma_1^2\sigma_2^3 + 324\sigma_1^4\sigma_3 + 162\sigma_1^3\sigma_2\sigma_3 \\
 & - 9\sigma_1^2\sigma_2^2\sigma_3 + 27\sigma_1^3\sigma_3^2 + 648\sigma_1^4 - 5724\sigma_1^3\sigma_2 + 1404\sigma_1^2\sigma_2^2 + 480\sigma_1\sigma_2^3 + 192\sigma_2^4 \\
 & + 540\sigma_1^3\sigma_3 - 1224\sigma_1^2\sigma_2\sigma_3 - 648\sigma_1\sigma_2^2\sigma_3 + 32\sigma_2^3\sigma_3 - 108\sigma_1\sigma_2\sigma_3^2 + 1188\sigma_1^3 \\
 & - 3672\sigma_1^2\sigma_2 + 7776\sigma_1\sigma_2^2 - 896\sigma_2^3 + 5364\sigma_1^2\sigma_3 - 3024\sigma_1\sigma_2\sigma_3 - 384\sigma_2^2\sigma_3 \\
 & + 1404\sigma_1\sigma_3^2 + 648\sigma_2\sigma_3^2 + 108\sigma_3^3 + 2160\sigma_1^2 - 5760\sigma_1\sigma_2 + 3840\sigma_2^2 \\
 & + 4320\sigma_1\sigma_3 - 10560\sigma_2\sigma_3 + 2160\sigma_3^2 - 33600\sigma_1 + 28800\sigma_2 - 17600\sigma_3 \\
 & + 32000.
 \end{aligned}$$

This surface is reduced, irreducible, and singular with singular locus given by the conjugacy classes described by

$$\begin{aligned}
 (k_1, k_2) \in & \{(0, 4/3)\} \cup \{(-4, -4)\} \cup \{(9/4, -4)\} \\
 & \bigcup \left\{ \left(\frac{3888t + 46656}{9t^3 + 216t^2 + 1944t}, \frac{t^3 + 18t^2}{9t^2 + 216t + 1944} \right) : t \neq 0 \in \mathbb{Q} \right\} \quad (3)
 \end{aligned}$$

$$\bigcup \left\{ \left(\frac{9t - 36}{-3t + 24}, -\frac{8 - t}{3} \right) : t \in \mathbb{Q} \setminus \{8\} \right\} \quad (4)$$

$$\bigcup \left\{ \left(\frac{-16}{2t - 6}, \frac{-t - 3}{2} \right) : t \in \mathbb{Q} \setminus \{3\} \right\} \quad (5)$$

Proof. As usual, we first compute the fixed point multiplier invariants using only the first three:

$$\begin{aligned}
 \sigma_1 = & \frac{1}{k_1 k_2 - 1} (k_1^2 k_2 + k_1 k_2^2 - 6k_1 k_2 + 8k_1 + 8k_2 - 12) \\
 \sigma_2 = & \frac{1}{(k_1 k_2 - 1)^2} (k_1^3 k_2^3 - 6k_1^3 k_2^2 - 6k_1^2 k_2^3 + 9k_1^3 k_2 + 28k_1^2 k_2^2 + 9k_1 k_2^3 - 42k_1^2 k_2 \\
 & - 42k_1 k_2^2 + 18k_1^2 + 85k_1 k_2 + 18k_2^2 - 60k_1 - 60k_2 + 48) \\
 \sigma_3 = & \frac{1}{(k_1 k_2 - 1)^3} (-6k_1^4 k_2^4 + 21k_1^4 k_2^3 + 21k_1^3 k_2^4 - 36k_1^4 k_2^2 - 80k_1^3 k_2^3 - 36k_1^2 k_2^4 \\
 & + 27k_1^4 k_2 + 135k_1^3 k_2^2 + 135k_1^2 k_2^3 + 27k_1 k_2^4 - 90k_1^3 k_2 - 210k_1^2 k_2^2 - 90k_1 k_2^3 \\
 & + 153k_1^2 k_2 + 153k_1 k_2^2 - 36k_1^2 - 180k_1 k_2 - 36k_2^2 + 96k_1 + 96k_2 - 64).
 \end{aligned}$$

We look at the ideal in $\mathbb{Q}[k_1, k_2, \sigma_1, \sigma_2, \sigma_3]$ generated by the defining equations of the invariants. We saturate by the ideal $(k_1 k_2 - 1)$ to avoid degeneracy and eliminate the variables k_1 and k_2 . This results in the surface defined by the equation in the statement.

Using Magma, we see that the surface is reduced, irreducible, and singular. Since this is a hypersurface, we compute the singular locus as the points on the surface that also vanish on the partial derivatives of the defining equation. This

variety has irreducible components

$$\begin{aligned}
 S_1 &: \begin{cases} 0 = \sigma_3 = \sigma_2 \\ 0 = 3\sigma_1 - 4 \end{cases} \\
 S_2 &: \begin{cases} 0 = 15\sigma_1 + 6\sigma_2 + \sigma_3 - 20 \\ 0 = 36\sigma_2^2 + 12\sigma_2\sigma_3 + \sigma_3^2 - 320\sigma_1 + 80\sigma_3 \end{cases} \\
 S_3 &: \begin{cases} 0 = 15\sigma_1\sigma_2 + 8\sigma_2^2 - 18\sigma_1\sigma_3 - 150\sigma_1 + 80\sigma_2 - 90\sigma_3 + 200 \\ 0 = 90\sigma_1^2 - 4\sigma_2^2 + 9\sigma_1\sigma_3 + 180\sigma_1 - 280\sigma_2 - 400 \\ 0 = 90\sigma_2^3 + 128\sigma_2^2\sigma_3 - 288\sigma_1\sigma_3^2 + 1800\sigma_2^2 - 4950\sigma_1\sigma_3 + 1280\sigma_2\sigma_3 \\ \quad - 1215\sigma_3^2 - 45000\sigma_1 + 30000\sigma_2 - 14800\sigma_3 + 60000. \end{cases}
 \end{aligned}$$

The general procedure of analyzing the components is similar to the one used in Section 3: we start with the ideal defined by the equations of the component along with the defining equations of the fixed point multiplier invariants, eliminate $(\sigma_1, \sigma_2, \sigma_3)$, and finally saturate by $(k_1k_2 - 1)$. The first component S_1 corresponds to the case $k_1 = 0$ and $k_2 = 4/3$.

The component S_2 results in a rational curve given by

$$\begin{aligned}
 0 &= (k_1 + k_2 + 8)(9k_1^3k_2 - 14k_1^2k_2^2 + 9k_1k_2^3 + 12k_1^2k_2 \\
 &\quad + 12k_1k_2^2 + 4k_1k_2 - 48k_1 - 48k_2 + 64) \\
 0 &= (k_2 + 4)^2(9k_1^3k_2 - 14k_1^2k_2^2 + 9k_1k_2^3 + 12k_1^2k_2 + 12k_1k_2^2 + 4k_1k_2 \\
 &\quad - 48k_1 - 48k_2 + 64).
 \end{aligned}$$

The common factor gives the rational curve (3) parameterized in the statement. If $k_2 = -4$, then either $k_1 = -4$ or $k_1 = 4/9$ give the other two singular points.

The component S_3 results in a variety with the two irreducible components

$$0 = k_1k_2 + 3k_2 - 4 \quad \text{and} \quad k_1k_2 + 3k_1 - 4 = 0.$$

These are conjugate by swapping $(k_1, k_2) \rightarrow (k_2, k_1)$ via $z \mapsto \frac{1}{z}$. This gives the two curves (4) and (5) and finishes the parameterization given in the statement. \square

5.4. $\mathcal{A}_4(\mathbf{C}_2)$. We now move on to the family $f_{k_1, k_2, k_3}(z) = \frac{z^4 + k_1z^2 + 1}{k_2z^3 + k_3z}$.

This family has infinitely many conjugacy classes that have the same fixed point multiplier invariants. Computing the multiplier invariants for points of period two was computationally infeasible, but computing the multiplier invariants for the points of formal period two was possible. We recall the definition of dynatomic polynomials and formal periodic points. For a rational map $f(z) = \frac{F(z)}{G(z)}$ define $\Phi_1(f) = F(z) - zG(z)$ and $\Phi_n(f) = \Phi_1(f^n)$ for $n > 1$. The roots of $\Phi_n(f)$ are the points with period n . We define the *n*th dynatomic polynomial as $\Phi_n^* = \prod_{d|n} \Phi_d(f)^{\mu(n/d)}$ where μ is the Möbius function. Its roots are the points of formal period n and contain among them the points of minimal period n . Similarly, for strictly preperiodic points, we define the *generalized*

(m, n) -dynatomic polynomial as $\Phi_{m,n}^*(f) = \frac{\Phi_n^*(f^m)}{\Phi_n^*(f^{m-1})}$ for $m \geq 1$. Its roots are the points of *formal period* (m, n) and contain among them the points of minimal period (m, n) . See Silverman [Sil07, §4.1] for dynatomic polynomials and Hutz [Hut15] for generalized dynatomic polynomials. We can also construct invariants from the multipliers of the formal periodic points of period n and notate them as $\sigma_i^{(n)*}$.

Utilizing just the $\sigma_1^{(2)*}$ did result in a finite-to-one map, but there were a number of spurious values appearing. Additionally including $\sigma_2^{(2)*}$ resulted in the correct mapping. As the computation is quite time and memory consuming, we record the two higher multiplier invariants here.

$$\begin{aligned} \sigma_1^{(2)*} &= \frac{-1}{(k_2^2 + k_3^2 - k_1 k_2 k_3)^2} \left((8k_3^2 - 12)k_2^4 + (-8k_1 k_3^3 + 40k_3^2 - 24k_1 k_3 + (40k_1^2 - 96))k_2^3 \right. \\ &\quad + (-8k_1 k_3^3 + (-4k_1^2 + 120)k_2^3 + (-8k_1^3 - 64k_1)k_3 + (-8k_1^4 + 80k_1^2 - 192)k_2^2 + (-24k_1^4 \\ &\quad + (-8k_1^3 + 24k_1)k_3^3 + (8k_1^2 + 160)k_3^2 + (-16k_1^3 + 64k_1)k_3)k_2 + ((8k_1^2 - 60)k_3^4 - 32k_1 k_3^3 \\ &\quad \left. + (16k_1^2 - 64)k_3^2) \right) \\ \sigma_2^{(2)*} &= \frac{1}{(k_2^2 + k_3^2 - k_1 k_2 k_3)^4} \left((24k_3^4 - 136k_3^2 - 126)k_2^8 + (-48k_1 k_3^5 + 320k_3^4 - 56k_1 k_3^3 \right. \\ &\quad + (320k_1^2 - 600)k_3^2 - 440k_1 k_3 + (168k_1^2 + 288))k_2^7 + ((24k_1^2 - 16)k_3^6 - 384k_1 k_3^5 + (200k_1^2 \\ &\quad + 1216)k_3^4 + (-384k_1^3 - 408k_1)k_3^3 + (-64k_1^4 + 2452k_1^2 - 2120)k_3^2 + (-664k_1^3 - 960k_1)k_3 \\ &\quad + (360k_1^4 - 2704k_1^2 + 5568))k_2^6 + (16k_1 k_3^7 + (64k_1^2 - 32)k_3^6 + (-72k_1^3 - 1120k_1)k_3^5 \\ &\quad + (64k_1^4 + 664k_1^2 + 2712)k_3^4 + (64k_1^5 - 1168k_1^3 - 2680k_1)k_3^3 + (-232k_1^4 + 8312k_1^2 - 9120)k_2^5 \\ &\quad + (-16k_1^5 - 528k_1^3 + 832k_1)k_3 + (-160k_1^6 + 2656k_1^4 - 12288k_1^2 + 16896))k_2^5 + (-24k_3^8 \\ &\quad + 160k_1 k_3^7 + (64k_1^4 + 32k_1^2 - 296)k_3^6 + (-360k_1^3 - 112k_1)k_3^5 + (242k_1^4 - 1120k_1^2 + 6652)k_3^4 \\ &\quad + (-232k_1^5 - 624k_1^3 - 7392k_1)k_3^3 + (40k_1^6 - 976k_1^4 + 10512k_1^2 - 21312)k_3^2 + (32k_1^7 - 1216k_1^5 \\ &\quad + 4992k_1^3 - 2560k_1)k_3 + (16k_1^8 - 448k_1^6 + 3872k_1^4 - 13568k_1^2 + 16896))k_2^4 + (-96k_3^8 + (-64k_1^8 \\ &\quad + 280k_1)k_3^7 + (64k_1^4 + 312k_1^2 - 2632)k_3^6 + (72k_1^5 - 920k_1^3 + 6008k_1)k_3^5 + (64k_1^6 + 952k_1^4 \\ &\quad - 4200k_1^2 + 13152)k_3^4 + (64k_1^7 - 544k_1^5 - 608k_1^3 + 1920k_1)k_3^3 + (192k_1^5 + 832k_1^4 \\ &\quad - 3072k_1^2 - 13312)k_3^2 + (192k_1^7 - 2368k_1^5 + 9728k_1^3 - 13312k_1)k_3)k_2^3 + (144k_3^8 \\ &\quad + (128k_1^3 - 600k_1)k_3^7 + (24k_1^6 - 280k_1^4 + 532k_1^2 - 7720)k_3^6 + (-128k_1^5 - 952k_1^3 + 6016k_1)k_3^5 \\ &\quad + (16k_1^6 + 152k_1^4 - 240k_1^2 + 5184)k_3^4 + (-192k_1^5 - 4864k_1^3 + 22528k_1)k_3^3 + (-160k_1^6 + 2112k_1^4 \\ &\quad - 9216k_1^2 + 13312)k_3^2)k_2^2 + ((-192k_1^2 + 1224)k_3^8 + (-48k_1^5 + 680k_1^3 - 712k_1)k_3^7 + (320k_1^4 \\ &\quad - 824k_1^2 - 6112)k_3^6 + (-160k_1^5 + 1776k_1^3 - 6080k_1)k_3^5 + (736k_1^4 + 512k_1^2 - 13824)k_3^4 + (-64k_1^5 \\ &\quad + 512k_1^3 - 1024k_1)k_3^3)k_2 + ((24k_1^4 - 472k_1^2 + 1554)k_3^8 + (-256k_1^3 + 1696k_1)k_3^7 \\ &\quad \left. + (80k_1^4 - 1040k_1^2 + 3392)k_3^6 + (-640k_1^3 + 2560k_1)k_3^5 + (32k_1^4 - 256k_1^2 + 512)k_3^4) \right). \end{aligned}$$

The first two fixed point multiplier invariants are given by

$$\begin{aligned} \sigma_1^{(1)} &= \frac{1}{k_2^2 + k_3^2 - k_1 k_2 k_3} \left(-k_1 k_2^2 k_3 - 4k_1^2 k_2 + k_2^3 + 4k_1 k_2 k_3 - 3k_2 k_3^2 - 12k_2^2 \right. \\ &\quad \left. + 4k_3^2 + 16k_2 \right) \\ \sigma_2^{(1)} &= \frac{1}{(k_2^2 + k_3^2 - k_1 k_2 k_3)^2} \left(4k_1^3 k_2^3 k_3 - 4k_1^2 k_2^3 k_3^2 + 4k_1 k_2^3 k_3^3 + 4k_1^4 k_2^2 - 4k_1^2 k_2^4 \right. \end{aligned}$$

$$\begin{aligned}
 & -12k_1^3k_2^2k_3 + 16k_1k_2^4k_3 + 18k_1^2k_2^2k_3^2 - 4k_2^4k_3^2 - 12k_1k_2^2k_3^3 + 28k_1^2k_2^3 \\
 & -12k_2^5 + 8k_1^3k_2k_3 - 68k_1k_2^3k_3 - 20k_1^2k_2k_3^2 + 20k_2^3k_3^2 + 4k_1k_2k_3^3 - 40k_1^2k_2^2 \\
 & + 70k_2^4 + 96k_1k_2^2k_3 - 8k_1^2k_3^2 - 28k_2^2k_3^2 + 16k_1k_3^3 - 2k_3^4 - 144k_2^3 \\
 & - 32k_1k_2k_3 - 16k_2k_3^2 + 96k_2^2 + 32k_3^2).
 \end{aligned}$$

Proposition 5.7. The map

$$\begin{aligned}
 \varphi : \mathbb{A}^3 \setminus \{k_2^2 + k_3^2 = k_1k_2k_3\} &\rightarrow \mathcal{M}_4 \\
 (k_1, k_2, k_3) &\mapsto [f_{k_1, k_2, k_3}]
 \end{aligned}$$

is generically two-to-one. The map

$$\begin{aligned}
 \tau : \varphi(\mathbb{A}^2 \setminus \{k_2^2 + k_3^2 = k_1k_2k_3\}) &\rightarrow \mathbb{A}^4 \\
 [f_k] &\mapsto (\sigma_1^{(1)}, \sigma_2^{(1)}, \sigma_1^{(2)*}, \sigma_2^{(2)*})
 \end{aligned}$$

is injective.

Proof. Trying to compute the degree generically as in the previous families was not feasible with our hardware resources, so we instead specialize to a particular choice of invariants and show that the degree is invariant under perturbation.

First note that the domain of φ is irreducible and the composition $\tau \circ \varphi$ is a morphism, so the image is also irreducible. From Milne [Mil17, Section 10] the dimension of fibers in this situation can only go up in a closed set, and the number of points in a specific fiber is at most the degree of the morphism and is equal to the degree for nonsingular fibers. We choose a nonsingular fiber where the fiber dimension is zero and has two points in it showing that the degree is two.

Choosing

$$(\sigma_1^{(1)}, \sigma_2^{(1)}, \sigma_1^{(2)*}, \sigma_2^{(2)*}) = \left(\frac{-22}{7}, -\frac{82}{49}, \frac{2164}{49}, \frac{769442}{2401} \right)$$

generates a system of equations in (k_1, k_2, k_3) . We take the associated ideal and saturate with respect to $(-k_1k_2k_3 + k_2^2 + k_3^2)$ to remove any degenerate solutions from the system. The resulting ideal is given by

$$I = (k_2 - 2, 3k_1 - k_3, k_3^2 - 9).$$

This has the two solution $(1, 2, 3)$ and $(-1, 2, -3)$, which are conjugate via $z \mapsto iz$. Call X the variety associated to I . The projective closure of X is dimension 0 and degree 2, so there should be two points when counted with multiplicity. The two given solutions are both solutions of multiplicity 1, so they are all the solutions to the system.

In general, we always get the two conjugate solutions

$$(k_1, k_2, k_3), \quad (-k_1, k_2, -k_3),$$

so φ is two-to-one. Since these two solutions are conjugate, τ is injective. \square

Computing the equation of the dimension three hypersurface for this family via elimination was beyond the capabilities of our hardware.

6. Rational Preperiodic Structures in \mathcal{M}_3

Having completed the description of the loci \mathcal{A}_3 and \mathcal{A}_4 and some of their geometric properties, we now turn to arithmetic dynamical properties of the families that make up the automorphism loci. Specifically, we look at the possible structures of \mathbb{Q} -rational preperiodic points. The main motivation is the far-reaching and open conjecture of Morton and Silverman that the number of rational preperiodic points should be bounded independently of the particular map chosen.

Conjecture 6.1 (Morton-Silverman [MS94]). Let $f : \mathbb{P}^N \rightarrow \mathbb{P}^N$ be a morphism of degree $d \geq 2$ defined over a number field K of degree D . Then the number of K -rational preperiodic points for f is bounded by a constant C depending only on N , d , and D .

The best known results typically make some kind of restriction on f , such as good reduction at certain primes. We are more interested in results such as Poonen [Pon98] or Manes [Man08] that restrict to special families. There are a number of results in this area, but we focus primarily on these two as they are closest in type to our results for the families in \mathcal{A}_3 and \mathcal{A}_4 . Poonen completely classified all possible \mathbb{Q} -rational preperiodic graph structures for the family $f_c(z) = z^2 + c$ assuming that there are no rational periodic points with minimal period at least 4. This has been generalized to quadratic fields in [DFK14]. Manes did the same for a family of quadratic rational maps with C_2 automorphisms assuming there were no \mathbb{Q} -rational periodic points with minimal period at least 5. In particular, her family was the automorphism locus \mathcal{A}_2 . We proceed along the same lines as follows:

- (1) Provide computational evidence of an upper bound on the minimal period of a \mathbb{Q} -rational preperiodic point.
- (2) Analyze all possible rational preperiodic structures assuming that bound on the minimal period.

In the case of the families with dimension in moduli space at most 1, we are able to complete the classification of rational preperiodic graph structures, with the exception of $\mathcal{A}_4(D_3)$, where the classification has possibly finitely many exceptional parameters. These results make heavy use of techniques for finding rational points on curves. For the families of dimension 2 and 3, the difficulty in finding all rational points on surfaces and dimension 3 varieties is the impediment to completing those classifications. In lieu of a full classification, we examine the existence of periodic points and take a computational census of the possible rational preperiodic graph structures. As techniques in these areas improve, it would be good to return to this topic and complete those classifications.

We end this introduction with a helpful lemma for points on curves and some helpful references.

Lemma 6.2. Let C be a projective curve defined over \mathbb{Q} . Suppose that there is a birational map defined over \mathbb{Q} between C and a smooth projective hyperelliptic curve X over \mathbb{Q} . Then the nonsingular rational points on C is bounded above by $|X(\mathbb{Q})|$.

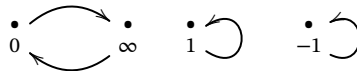
Proof. Since both C and X are curves, and C is birationally equivalent to X , we know that there is a \mathbb{Q} -rational isomorphism between X and \overline{C} , the smooth projective model of C [Ful08, Theorem 3 in Section 7.5]. In particular, $|\overline{C}(\mathbb{Q})| = |X(\mathbb{Q})|$. Furthermore, we have a surjective map from \overline{C} to C , so the number of non-singular rational points on C is bounded above by $|\overline{C}(\mathbb{Q})| = |X(\mathbb{Q})|$. The only other rational points on C are the singular points that could come from non-rational points on \overline{X} . \square

For references on curve quotienting and blow-ups, see Lorenzini [Lor96] and Liu [Liu06].

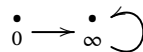
6.1. The Single Conjugacy Classes. The cases $\mathcal{A}_3(C_4)$, $\mathcal{A}_3(D_4)$, and $\mathcal{A}_3(\mathfrak{A}_4)$ consist of single conjugacy classes. Using the algorithm from Hutz [Hut15], we compute each such structure.

Theorem 6.3. We have the following rational preperiodic structures.

- For $\mathcal{A}_3(C_4) = \mathcal{A}_3(D_4)$, we represent the conjugacy class as $f(z) = \frac{1}{z^3}$. This function has rational periodic structure given by



- For $\mathcal{A}_3(\mathfrak{A}_4)$, we represent the conjugacy class as $f(z) = \frac{z^3-3}{-3z^2}$. This function has rational periodic structure given by



Proof. Direct computation via the algorithm of Hutz [Hut15] as implemented in Sage. \square

6.2. $\mathcal{A}_3(C_3)$. We saw in Proposition 2.5 that the family $f_a(z) = \frac{z^3+a}{az^2}$ with $a \neq 0$ gives $\mathcal{A}_3(C_3)$.

We first examine an upper bound on the minimal period of a \mathbb{Q} -rational periodic point. We make use of Lemma 6.4.

Lemma 6.4. If $F \in \mathbb{Q}[x, y]$ is irreducible over \mathbb{Q} but is reducible over some extension field K of \mathbb{Q} , and all the components are defined over K , then every rational point on the curve defined by $F = 0$ is singular.

Proof. Suppose F factors into $F = g_1 g_2 \dots g_n$ over K . Consider the set $S = \{g_1^\sigma : \sigma \in \text{Gal}(K/\mathbb{Q})\}$. Observe first that g_1^σ has to be another component of F , since $F^\sigma = g_1^\sigma g_2^\sigma \dots g_n^\sigma = F$. Then the polynomial $g = \prod_{h \in S} h$ must be invariant under the Galois action and is, therefore, defined over \mathbb{Q} . Since $g \mid F$ and F is irreducible, we know that $g = F$ (up to scaling). In particular, for every g_i and g_j , we can find a $\sigma \in \text{Gal}(K/\mathbb{Q})$ such that $g_i^\sigma = g_j$. If P is a rational solution to $F = 0$, it is a rational solution to some $g_i = 0$. But $g_j(P) = g_i^\sigma(\sigma(P)) = \sigma(g_i(P)) = 0$, so P is in fact a root of all the components of F and, thus, must be in the intersection. It then follows that P must be a singular point on the curve defined by $F = 0$. \square

Proposition 6.5. Let $f_a(z) = \frac{z^3+a}{az^2}$.

- (1) The point ∞ is fixed for all choices of parameter a . There is a second \mathbb{Q} -rational fixed point for the parameters $a = \frac{1}{1-t^3}$ for $t \in \mathbb{Q} \setminus \{0, 1\}$. These are the only occurring \mathbb{Q} -rational fixed points.
- (2) There are no rational parameters a where $f_a(z)$ has a \mathbb{Q} -rational periodic point with minimal period 2 or 3.

Proof. Clearly ∞ is fixed, so to look for additional fixed points, we examine the first dynatonic polynomial

$$\Phi_1^*(f_a) = (1-a)z^3 + a,$$

and the associated dynatonic curve $\Phi_1^*(f_a) = 0$. We want values of a where this curve admits rational points. Linearity in a allows us to quickly solve when $z = \frac{1}{t} \in \mathbb{Q}$,

$$a = \frac{z^3}{z^3 - 1} = \frac{1}{1 - t^3}.$$

Each finite fixed point $z \in \mathbb{Q}$ determines a unique a , so we can never have more than two rational fixed points.

To determine rational 2-cycles, we compute the second dynatonic polynomial

$$\Phi_2^*(f_a) = (a+1)z^6 + (-a^3 + a^2 + 2a)z^3 + a^2.$$

The curve defined by $\Phi_2^*(f_a) = 0$, called the second dynatonic curve, has genus 3; so by Faltings' theorem, it only has finitely many rational points. Computing with Magma we see that its projective closure has an order two automorphism group and the quotient curve C in \mathbb{P}^4 has defining equations

$$\begin{aligned} -16x_0x_1 + 65x_1x_2 - 49x_3^2 &= 0 \\ -588800x_0^2 - 108160x_0x_2 + 12675x_2^2 + 129654x_1x_3 &= 0 \end{aligned}$$

with projection map $\phi : \overline{V(\Phi_2^*(f_a))} \rightarrow C$. The curve C is genus one and has rational point $(0 : 1 : 0 : 0)$. We compute a Weierstrass model as

$$E : y^2 - \frac{134217728}{28588707}y = x^3 - \frac{40462027902156800}{7355827511386641}.$$

The curve E is rank 0 with torsion subgroup isomorphic $\mathbb{Z}/3\mathbb{Z}$. In particular, C has at most 3 rational points. We find them through a point search as

$$\left\{ \left(\frac{13}{160} : 0 : 1 : 0 \right), \left(-\frac{195}{736} : 0 : 1 : 0 \right), (0 : 1 : 0 : 0) \right\}.$$

Every rational point of the second dynatonic curve must project to one of these three points under ϕ , so we compute all possible inverse images using Sage.

$$\begin{aligned} \phi^{-1} \left(\frac{13}{160} : 0 : 1 : 0 \right) &= \{(0 : 0 : 1), (0 : 1 : 0)\} \\ \phi^{-1} \left(-\frac{195}{736} : 0 : 1 : 0 \right) &= \{(0 : 0 : 1), (0 : 1 : 0)\} \\ \phi^{-1} (0 : 1 : 0 : 0) &= \{(0 : 0 : 1), (0 : 1 : 0), (1 : 0 : 0)\}. \end{aligned}$$

Note that these inverse images are not disjoint due to the highly singular nature of the points $(0 : 0 : 1)$, $(0 : 1 : 0)$, and $(1 : 0 : 0)$. Taking the union of these inverse image sets gives the \mathbb{Q} -rational points on the second dynatonic curve as

$$\{(0 : 0 : 1), (0 : 1 : 0), (1 : 0 : 0)\}.$$

Only one of these points is affine and it corresponds to $a = 0$ which is degenerate. Hence, there is no \mathbb{Q} -rational value of a where f_a has a 2-cycle with \mathbb{Q} -rational points.

Now we look at the rational 3-cycles. We want to determine if there are any rational points on the third dynatonic curve defined by the vanishing of

$$\begin{aligned} \Phi_{3,f_a}^*(a, z) &= (a^2 + a + 1)z^{24} + (a^6 + a^5 + a^4 + 6a^3 + 7a^2 + 8a)z^{21} \\ &\quad + (a^{10} + a^9 + a^8 + 2a^7 + 3a^6 + 4a^5 + 15a^4 + 21a^3 + 28a^2)z^{18} \\ &\quad + (a^{11} + 2a^{10} + 3a^9 + 2a^7 + 5a^6 + 20a^5 + 35a^4 + 56a^3)z^{15} \\ &\quad + (a^{12} + 2a^{11} + 4a^{10} - 2a^9 - 2a^8 + 15a^6 + 35a^5 + 70a^4)z^{12} \\ &\quad + (a^{12} + 3a^{11} - a^{10} - 3a^9 - 5a^8 + 6a^7 + 21a^6 + 56a^5)z^9 \\ &\quad + (a^{12} - a^{10} - 4a^9 + a^8 + 7a^7 + 28a^6)z^6 \\ &\quad + (-a^{10} + a^8 + 8a^7)z^3 + a^8. \end{aligned}$$

This curve is reducible over \mathbb{Q} , and it has the following components:

$$\begin{aligned} X_1 : a^2z^6 + az^6 + z^6 + a^2z^3 + 2az^3 + a^2 &= 0 \\ X_2 : a^8z^{12} + a^4z^{15} + a^9z^9 + z^{18} + 2a^5z^{12} + a^{10}z^6 + 6az^{15} \\ &\quad + 15a^2z^{12} - 2a^7z^6 + 20a^3z^9 - a^8z^3 + 15a^4z^6 + 6a^5z^3 + a^6 = 0. \end{aligned}$$

Both components are irreducible over \mathbb{Q} but reducible over some extension field of \mathbb{Q} . For curves satisfying this condition, we have Lemma 6.4. Thus, any \mathbb{Q} -rational points on the curve X_1 must be in the intersection of the two components. In particular, any \mathbb{Q} -rational points must be singular. The only singular point on X_1 is $(0, 0)$. We can similarly look at the other component X_2 . It turns out that X_2 is reducible over the extension field $\mathbb{Q}(\sqrt{-3})$ and both components

are defined over this extension. Thus, we can use the same argument and compute the singular points for X_2 . The only singular point is $(0, 0)$. Thus, the only \mathbb{Q} -rational point on the dynatomic curve is $(0, 0)$, but we cannot have $a = 0$ since $a = 0$ gives us a zero in the denominator for the rational map $f_a(z)$. Therefore, no member of the family has rational 3-cycles. \square

Remark 6.6. The two components X_1 and X_2 appear to be the values of a where there is one 3-cycle with points defined over the field of definition and where all nine periodic points of period three are defined over the field of definition, respectively.

A search for rational preperiodic structures with the parameter up to height 10,000 using the algorithm from [Hut15] as implemented in Sage yields no parameters where f_a has a \mathbb{Q} -rational periodic point with minimal period at least 4. So we make the following conjecture.

Conjecture 6.7. There is no $a \in \mathbb{Q}$ so that $f_a(z) = \frac{z^3+a}{az^2}$ has a \mathbb{Q} -rational periodic point with minimal period at least 4.

Assuming this conjecture, we are able to classify all possible \mathbb{Q} -rational preperiodic structures.

One of the curves appearing in the proof of Theorem 6.9 is a non-hyperelliptic genus 3 curve with trivial automorphism group. The standard implementations do not yield a sharp point estimate, so we treat computing its rational points in Lemma 6.8.²

Lemma 6.8. Assuming the (weak) Birch-Swinnerton-Dyer conjecture, the curve $C \subseteq \mathbb{P}^2$ defined by

$$C : x^2y^2 + xy^3 - x^3z - x^2yz - xy^2z + yz^3 = 0$$

has exactly the following six points as \mathbb{Q} -rational points.

$$\{(1 : 1 : 1), (1 : 1 : -2), (0 : 1 : 0), (0 : 0 : 1), (1 : 0 : 0), (-1 : 1 : 0)\}.$$

Proof. We first show that the differences of the six known points form a rank 1 subgroup of the Mordell-Weil group of the Jacobian of C , denoted J . This is adapted directly from Michael Stoll's Magma code for computing \mathbb{Q} -rational 6-cycles [Sto08]. We know that prime-to- p torsion in $J(\mathbb{Q})$ injects into $J(\mathbb{F}_p)$ for primes of good reduction. Magma computes

$$\#J(\mathbb{F}_5) = 3 \cdot 79 \quad \#J(\mathbb{F}_7) = 7 \cdot 83.$$

We conclude $J(\mathbb{Q})$ has trivial torsion. To show the rank assertion, we use the homomorphism

$$\Phi_S : \bigoplus_{i=0}^5 \mathbb{Z}P_i \rightarrow \text{Pic}_C \rightarrow \prod_{p \in S} \text{Pic}_{C/\mathbb{F}_p},$$

²Thanks to Michael Stoll for detailed help with the computation and Andrew Sutherland for access to preliminary data on the analytic rank for Lemma 6.8.

where S is the set of primes of good reduction. We take $S = \{2, 5, 7, 11, 13\}$ and compute that the kernel of Φ_S is a subgroup of rank 5 in $\mathbb{Z}^6 = \bigoplus \mathbb{Z}P_i$. We apply LLL and find that there are (at least) four relations among the points; this gives an upper bound of the rank as 1. However, looking at the image of Φ_S , we see that the degree 0 subgroup of \mathbb{Z}^6 surjects onto $\mathbb{Z}/5\mathbb{Z}$; and since there is no torsion, the rank must be at least 1. Hence, the rank is exactly 1.

This is just the rank of the subgroup supported on the known points, so is not a conclusive rank calculation. However, Andrew Sutherland in private communication has calculated the analytic rank as 1 assuming that the L -function lies in the (polynomial) Selberg class, which is implied by the Hasse-Weil conjecture. Assuming BSD (and Hasse-Weil), this is a conclusive rank calculation.

The curve C is genus 3 and we assume that the rank of $J(\mathbb{Q})$ is 1, so we can apply methods of Chabauty to show that these six points are the only \mathbb{Q} -rational points on C [BPS16].³ Recall that there is a pairing

$$\begin{aligned} \Omega_J^1(\mathbb{Q}_p) \times J(\mathbb{Q}_p) &\rightarrow \mathbb{Q}_p \\ (\omega, Q) &\mapsto \int_0^Q \omega \end{aligned}$$

that induces a perfect \mathbb{Q}_p -bilinear pairing

$$\Omega_J^1(\mathbb{Q}_p) \times J(\mathbb{Q}_p)^1 \otimes_{\mathbb{Z}_p} \mathbb{Q}_p \rightarrow \mathbb{Q}_p,$$

where $J(\mathbb{Q}_p)^1$ denotes the kernel of reduction. If $G \subset J(\mathbb{Q}_p)$ is a subgroup of rank less than $\dim(J) = 3$, then there is a nonzero differential ω that kills G under this pairing. We apply this with $p = 2$ and with G the subgroup generated by the known rational points. Fix a basis of regular differentials

$$w_0 = \frac{x(zdx - xdz)}{F_y} \quad w_1 = \frac{y(zdx - xdz)}{F_y} \quad w_2 = \frac{z(zdx - xdz)}{F_y},$$

where $F(x, y, z)$ is the defining polynomial of C and F_y the partial derivative with respect to y ; see, for example, [BK86, Corollary to Theorem 1 p. 634]. For a given point P , find a uniformizing parameter of C at P that is also a uniformizer at P modulo 2. We find a basis of differentials in terms of the uniformizer that annihilates the known rational points. Looking at the degree of vanishing, we can determine whether one or two rational points lie above each of the points modulo 2.

The points $(-1 : 1 : 0)$ and $(1 : 1 : -2)$ are in the same residue class. We calculate the basis of annihilating differentials as

$$\begin{aligned} &1 + t + t^2 + t^4 + t^5 + t^8 + t^{10} + t^{11} + t^{13} + t^{15} + t^{16} + O(t^{20}) \\ &1 + t + t^3 + t^4 + t^5 + t^8 + t^9 + t^{11} + t^{12} + t^{16} + t^{17} + O(t^{20}) \end{aligned}$$

Since there is a non-vanishing constant term, there are at most two rational points in this residue class modulo 2 [Sto06, Proposition 6.3].

³Thanks to Michael Stoll for sharing the details of this computation.

For the remaining four points, we get the following four bases of annihilating differentials.

$$\begin{cases} 1 + t + t^3 + t^4 + t^5 + t^6 + t^{13} + t^{14} + t^{17} + t^{19} + O(t^{20}) \\ t + t^3 + t^6 + t^7 + t^8 + t^9 + t^{10} + t^{11} + t^{12} + t^{13} + t^{18} + O(t^{20}) \\ t^3 + t^5 + t^6 + t^9 + t^{10} + t^{12} + t^{15} + t^{18} + O(t^{20}) \\ 1 + t^7 + t^8 + t^{11} + t^{12} + t^{13} + t^{16} + t^{19} + O(t^{20}) \\ t + t^3 + t^5 + t^7 + t^8 + t^9 + t^{11} + t^{13} + t^{18} + t^{19} + O(t^{20}) \\ 1 + t^2 + t^3 + t^4 + t^6 + t^7 + t^{10} + t^{11} + t^{12} + t^{15} + t^{17} + t^{19} + O(t^{20}) \\ 1 + t^2 + t^3 + t^6 + t^7 + t^9 + t^{10} + t^{12} + t^{15} + t^{16} + t^{17} + t^{18} + O(t^{20}) \\ t + t^2 + t^5 + t^7 + t^8 + t^{13} + t^{14} + t^{15} + t^{18} + t^{19} + O(t^{20}) \end{cases}$$

For each point there is an element such that the constant term is nonzero and the linear term is zero. By a standard Newton polygon argument; see [Kob84, IV.4], this implies that the corresponding logarithm has at most one zero on the residue disk of the point, so there is at most one rational point in the disk. Consequently, there are at most six rational points on the curve. \square

Theorem 6.9. Let $f \in \mathcal{A}_3(C_3)$. Assuming the (weak) Birch-Swinnerton-Dyer conjecture, if $f_a(z) = \frac{z^3+a}{az^2}$ does not have a \mathbb{Q} -rational periodic point of period at least 4, then the \mathbb{Q} -rational preperiodic structure for $a \in \mathbb{Q}$ is one of the following;

$$\begin{aligned} G_1 &:= \begin{array}{c} \bullet \\ \swarrow \\ \bullet \rightarrow \infty \curvearrowright \bullet \rightarrow \bullet \curvearrowright \end{array}, \quad a = \frac{1}{1-t^3}, \quad t = \frac{1}{xy-x} \text{ for } (x,y) \text{ a rational point on the curve } y^2 - y = x^3 - 1 \text{ with } x \neq 1 \\ G_2 &:= \begin{array}{c} \bullet \\ \swarrow \\ \bullet \rightarrow \infty \curvearrowright \bullet \curvearrowright \end{array}, \quad a = \frac{1}{1-t^3}, \quad t \in \mathbb{Q} \setminus \{0, 1\} \text{ and not } G_1 \\ G_3 &:= \begin{array}{c} \bullet \\ \swarrow \\ \bullet \rightarrow \bullet \rightarrow \infty \curvearrowright \end{array}, \quad a = t^3, \quad t \in \mathbb{Q} \setminus \{0\} \\ G_4 &:= \begin{array}{c} \bullet \\ \swarrow \\ \bullet \rightarrow \infty \curvearrowright \end{array}, \quad \text{all other parameters } a. \end{aligned}$$

Proof. Proposition 6.5 describes the periodic points, so we need only consider the strictly preperiodic points.

The point at infinity denoted ∞ is fixed for f_a for every a . Its only non-periodic preimage is 0. So we always have at least the preperiodic structure

$$\bullet \rightarrow \infty \curvearrowright$$

We can also look for preimages of 0. Solutions to $z^3 + a = 0$ for rational a must look like $a = l^3$ for some $l \in \mathbb{Q}$. Of the three possible preimages of 0, only

one can ever be rational. This describes parameter values whose preperiodic structures contain graph G_3 .

To have both a second fixed point and a second non-periodic preimage of ∞ (i.e., the union of G_2 and G_3), we need $a = \frac{1}{1-t^3}$ and $a = l^3$ for $t, l \in \mathbb{Q}$. Setting these two equal, the problem comes down to finding rational points on the (affine) curve

$$l^3(1 - t^3) - 1 = 0. \tag{6}$$

This curve has genus 1 and a rational point at $(t, l) = (0, 1)$, which allows us to find an isomorphism to an elliptic curve using Magma. We get the Weierstrass model $y^2 - 9y = x^3 - 27$, which has rank 0 and whose torsion subgroup is isomorphic to $\mathbb{Z}/3\mathbb{Z}$. The rational points of the projective closure are $(t : l : r) = (0 : 1 : 0), (0 : 1 : 1), (1 : 0 : 0)$. The two points $(0 : 1 : 0)$ and $(1 : 0 : 0)$ are singular. When we blow them up they both correspond to one rational point. Since we only have three rational points on the elliptic curve, there are only three on our original curve. Only one of these three rational points is not at infinity. This point corresponds to $a = 1$ and gives $\Phi_1^*(f)(z) = 1$ which is never 0. Thus, we can never have both a second fixed point and a preimage of 0. Note that this eliminates the union of G_1 and G_3 as well.

We can also look at when the preimage of 0 itself has a preimage. We already know $a = t^3$ for some $t \in \mathbb{Q}$, so we need $\frac{z^3+t^3}{t^3z^2} = -t$. This determines the curve

$$z^3 + z^2t^4 + t^3 = 0,$$

which is a singular genus 3 non-hyperelliptic curve. It has a C_3 automorphism given by $(z, t) \mapsto (\omega z, \omega t)$, where ω is a cube root of unity. Quotienting out by this action in Magma gives us all of \mathbb{P}^1 , so a different analysis is necessary. We can also perform the change of coordinates $(z, t) \mapsto (u, v) = (\frac{z}{t}, z^2t)$ to get $v^3 + u + 1 = 0$ - this is exactly \mathbb{P}^1 as expected.

The first birational transformation we perform is sending the coordinates (z, t) to $(x, y) = (\frac{t}{z}, \frac{t^2}{z})$, which gives us $y^3 = -x^5 - x^2$. The simple change $y \mapsto -y$ allows us to write the nicer version

$$y^3 = x^5 + x^2.$$

We see that this is now a superelliptic curve, but in a singular model so still not desirable to work with. Another birational transformation $(x, y) \mapsto (u, v) = (\frac{1}{x}, \frac{y}{x^2})$ gives

$$v^3 = u^4 + u,$$

a nonsingular Picard curve. Magma computes that this curve has rank 0, and since this number is strictly less than 3 (its genus), we can use the Chabauty-Coleman [Cha41, Col85] method to find all its rational points. We can check that $p = 2$ is a prime of good reduction (define the curve in Magma over \mathbb{F}_2 and check if it is singular). Code written by Jan Tuitman and Jennifer Balakrishnan [BT18] verifies that, in fact, there can be at most three rational points on the

curve. Thus, there are only three points on our original curve, which Magma finds to be $(0 : 1 : 0), (0 : 0 : 1), (1 : 0 : 0)$. The only affine point is $(0, 0)$, so $z = 0, t = 0$ is the only solution. However, these values send the expression $\frac{z^3+t^3}{t^3z^2}$ to infinity, not 0, so it is not a valid solution. Thus, the rational preimage of 0 cannot have a rational preimage.

We next see if the second fixed point can have non-periodic rational preimages. To simplify the equations, instead of the parameterization $a = \frac{1}{1-t^3}$, $t \neq 0, 1$ for the existence of a second fixed point, we replace t with $\frac{1}{t}$ to have $a = \frac{t^3}{t^3-1}$, $t \neq 0, 1$ with (affine) fixed point t . We know that

$$f_a(z) = t,$$

which produces the equation

$$\frac{1}{t^3-1}(z^3(t^3-1) - t^4z^2 + t^3) = 0. \tag{7}$$

The variety defined by equation (7) has two irreducible components: the case where the preimage is the fixed point itself, $z = t$, and the genus 1 curve defined by

$$C : z^2t^3 - z^2 - zt - t^2 = 0.$$

Using the point $(0 : 1 : 0)$ as the point at infinity, we get the model

$$y^2 - y = x^3 - 1. \tag{8}$$

It is rank 1 with generator $(1 : 0 : 1)$ with trivial torsion. We have a mapping

$$\begin{aligned} \psi : E &\rightarrow C \\ \psi(x, y, z) &= (xz, xy - xz, yz - z^2). \end{aligned}$$

So every rational point on the elliptic curve corresponds to a rational point on the curve C . The image of $(1 : 0 : 1)$ gives $t = 1$, which is the degenerate case, but the other rational points with $x \neq 1$ correspond to parameters a where the additional fixed point has a non-periodic rational preimage. Furthermore, since the curve C defining the pair (z, t) is degree 2 in z , if there is one rational preimage of the fixed point, then there is typically two rational preimages of the fixed point. The exceptions are obtained by taking the discriminant of the defining equation of C in $\mathbb{Q}[t][z]$. This discriminant is

$$t^2(4t^3 - 3).$$

So the only rational t value where there could be a single preimage is $t = 0$, which is degenerate. So we have structure G_1 .

Now we check if structure G_1 can be extended by the finite fixed point having a second rational preimage. We continue to utilize the parameterization $a = \frac{t^3}{t^3-1}$, so we are looking for a rational point on a component of the curve defined by $f_a^2(z) = t$

$$(t^{12} - 4t^9 + 6t^6 - 4t^3 + 1)z^9 + (4t^{12} - 9t^9 + 9t^6 - 3t^3)z^6$$

$$\begin{aligned}
 &+ (3t^{12} - 6t^9 + 3t^6)z^3 + t^{12} - t^9 \\
 &= t((t^{12} - 2t^9 + t^6)z^8 + (2t^{12} - 2t^9)z^5 + t^{12}z^2).
 \end{aligned}$$

After saturation by the ideal (t, z) , the degenerate case, this curve has three irreducible components. Two of these components correspond to fixed points and preperiodic points with period $(1,1)$, respectively,

$$\begin{aligned}
 z &= t \\
 t^3z^2 - z^2 - tz - t^2 &= 0.
 \end{aligned}$$

The third component represents the preperiodic points with period $(2, 1)$ and is an irreducible genus 13 curve defined by

$$\begin{aligned}
 z^6t^9 - 3z^6t^6 - z^5t^7 - z^4t^8 + 2z^3t^9 + 3z^6t^3 + z^5t^4 - 4z^3t^6 \\
 - z^2t^7 + t^9 - z^6 + 2z^3t^3 - t^6 = 0.
 \end{aligned}$$

Utilizing Magma, we quotient by the automorphism $(z, t) \mapsto (\zeta_3z, \zeta_3t)$, where ζ_3 is a primitive third root of unity. This results in the genus 3 curve defined by $-x^3y + y^4 + 5x^3 - 2x^2y + xy^2 - 19y^3 + 11x^2 - 9xy + 136y^2 + 23x - 433y + 517 = 0$.

Simplifying the (projective closure) equation with a change of variables defined

by the $SL_3(\mathbb{Z})$ element $m = \begin{pmatrix} 1 & -1 & 1 \\ 0 & 5 & -4 \\ 0 & 1 & -1 \end{pmatrix}$, we get the reduced equation

$$x^2y^2 + xy^3 - x^3 - x^2y - xy^2 + y = 0.$$

Lemma 6.8 calculates the \mathbb{Q} -rational points of the projective closure of this curve as

$$\{(1 : 1 : 1), (-1/2 : -1/2 : 1), (0 : 1 : 0), (0 : 0 : 1), (1 : 0 : 0), (-1 : 1 : 0)\}.$$

These give the six points on the nonreduced curve

$$\begin{aligned}
 \{(1 : 1 : 0), (1 : -13/2 : -3/2), (1 : -4 : -1), (-1 : 5 : 1), \\
 (1 : 0 : 0), (-2 : 5 : 1)\}.
 \end{aligned}$$

On the original curve, we find the four points

$$\{(0 : 1 : 0), (0 : 0 : 1), (0 : 1 : 1), (1 : 0 : 0)\}.$$

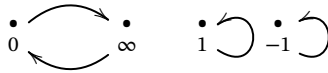
Computing the inverse image of the quotient map of the six points on the nonreduced curve, we find only the four rational points on the original curve already known. So these are the only four rational points on the original curve. These are all either points at infinity or degenerate cases, so there are no non-periodic second rational preimages of the finite fixed point.

There are no possible ways to extend the structures $G_1, G_2,$ and G_3 rationally, so these are the only possible structures of \mathbb{Q} -rational preperiodic points for $f_a(z)$ for $a \in \mathbb{Q}$. □

6.3. $\mathcal{A}_3(D_2)$ First Component. There are two families with a D_2 symmetry. We first look at the family $f_a(z) = \frac{az^2+1}{z^3+az}$. Note that $a = \pm 1$ are degenerate cases.

Proposition 6.10. The following describes \mathbb{Q} -rational periodic points for $f_a(z) = \frac{az^2+1}{z^3+az}$ for $a \in \mathbb{Q}$.

- (1) For every a , $f_a(z)$ has the rational periodic points



- (2) The points ± 1 are the only \mathbb{Q} -rational fixed points for all $a \in \mathbb{Q} \setminus \{\pm 1\}$.
- (3) If there are any additional rational periodic points with period 2, then all six points of period 2 are \mathbb{Q} -rational.
- (4) There is no $a \in \mathbb{Q} \setminus \{\pm 1\}$ so that $f_a(z)$ has a \mathbb{Q} -rational 3-cycle.

Proof. The first dynatomic polynomial is $\Phi_1^*(f_a) = -z^4 + 1$. In particular, every member of the family has two rational fixed points 1 and -1 and two complex fixed points $\pm i$. The second dynatomic polynomial is given by

$$\Phi_2^*(f_a) = (a^2 - 1)z^5 + (2a^3 - 2a)z^3 + (a^2 - 1)z.$$

The associated curve is reducible over \mathbb{Q} and the irreducible components are

$$\begin{aligned} z &= 0 \\ a - 1 &= 0 \\ a + 1 &= 0 \\ z^4 + 2az^2 + 1 &= 0. \end{aligned} \tag{9}$$

Note that $a = \pm 1$ are degenerate cases. The points 0 and ∞ form a 2-cycle. From the last component (9), for every z , we can find $a = \frac{-z^4-1}{2z^2}$ such that z is periodic with period 2. Furthermore, we know if z is a rational point of period 2, then $1/z$, $-z$, and $-1/z$ are all points of period 2 since the maps $z \mapsto \pm 1/z$ and $z \mapsto -z$ are automorphisms of $f_a(z)$. Since f_a is a degree 3 map, we know that there are at most three rational 2-cycles and six points of period 2. Thus, for every member of the family, either we have only 1 rational 2-cycle (0 and ∞) or all 2-cycles are rational.

Now we look at rational 3-cycles. The third dynatomic polynomial is calculated as

$$\begin{aligned} \Phi_3^*(f_a) = & z^{24} + (a^5 + 2a^3 + 9a)z^{22} + (a^8 + 9a^6 + 14a^4 + 41a^2 + 1)z^{20} \\ & + (7a^9 + 28a^7 + 55a^5 + 118a^3 + 12a)z^{18} \\ & + (15a^{10} + 54a^8 + 118a^6 + 248a^4 + 59a^2 + 1)z^{16} \\ & + (12a^{11} + 73a^9 + 140a^7 + 376a^5 + 180a^3 + 11a)z^{14} \\ & + (3a^{12} + 52a^{10} + 115a^8 + 334a^6 + 361a^4 + 58a^2 + 1)z^{12} \\ & + (12a^{11} + 73a^9 + 140a^7 + 376a^5 + 180a^3 + 11a)z^{10} \end{aligned}$$

$$\begin{aligned}
 &+ (15a^{10} + 54a^8 + 118a^6 + 248a^4 + 59a^2 + 1)z^8 \\
 &+ (7a^9 + 28a^7 + 55a^5 + 118a^3 + 12a)z^6 \\
 &+ (a^8 + 9a^6 + 14a^4 + 41a^2 + 1)z^4 + (a^5 + 2a^3 + 9a)z^2 + 1.
 \end{aligned}$$

The associated dynatomic curve has genus 27 and is difficult to work with directly. First observe that if (a, z) is a point on $\Phi_3^*(f_a) = 0$, then $(a, f_a(z))$ and $(a, f_a^2(z))$ are also on the curve. Thus, we can quotient this curve by a C_3 symmetry by setting $t = z + f_a(z) + f_a^2(z)$. We need to find the curve X obtained through this quotient. We know that finding this curve X is equivalent to finding the minimal polynomial of $t = z + f_a(z) + f_a^2(z) \in K$, where K is the extension field of $\mathbb{Q}(a)$ defined by the third dynatomic polynomial.

The curve X defined by this minimal polynomial is given by

$$\begin{aligned}
 X : z^8 + (a^5 + 4a^3 - a)z^6 + (a^8 + 2a^6 - 4a^4 + 8a^2 - 1)z^4 \\
 + (3a^7 + 4a^5 - 23a^3 + 20a)z^2 + 9a^4 - 24a^2 + 16 = 0.
 \end{aligned}$$

Observe that we can quotient out by another C_2 action by identifying $x = z^2$. This gives us the curve

$$\begin{aligned}
 Y : x^4 + (a^5 + 4a^3 - a)x^3 + (a^8 + 2a^6 - 4a^4 + 8a^2 - 1)x^2 \\
 + (3a^7 + 4a^5 - 23a^3 + 20a)x + 9a^4 - 24a^2 + 16 = 0.
 \end{aligned}$$

This curve has genus 3 and is hyperelliptic with simplified model

$$Y' : y^2 = x^8 - 6x^6 + 19x^4 - 30x^2 + 9.$$

Observe, that this curve covers a genus 1 curve by setting $x = x^2$,

$$E : y^2 = x^4 - 6x^3 + 19x^2 - 30x + 9.$$

This curve E has smooth model as an elliptic curve

$$E' : y^2 - \frac{10}{3}xy - \frac{32}{9}y = x^3 + \frac{4}{3}x^2.$$

The curve E' has rank 0 and the torsion subgroup has order 6. Therefore, there are at most six rational points on E . A search using height bound 1000 on the projective closure of E finds five rational points:

$$(3 : 3 : 1), (3 : -3 : 1), (0 : 1 : 0), (0 : -3 : 1), (0 : 3 : 1).$$

This list is complete since $(0 : 1 : 0)$ is a singular point and blows up to 2 rational points. Observe that affine rational points on E can be lifted to affine rational points on Y' only if the x -coordinate is a square. Thus, the only affine rational points on Y' are $(0, -3)$ and $(0, 3)$. We also know that since Y' is of the form $y^2 = f(x)$, where $f(x)$ has even degree with leading coefficient a square, Y' has two points at infinity, both of which are rational. Thus, on Y' , there are only four rational points. Then Y has at most four non-singular rational

points. Searching using a height bound 1000 on the projective closure of Y , we find four rational points:

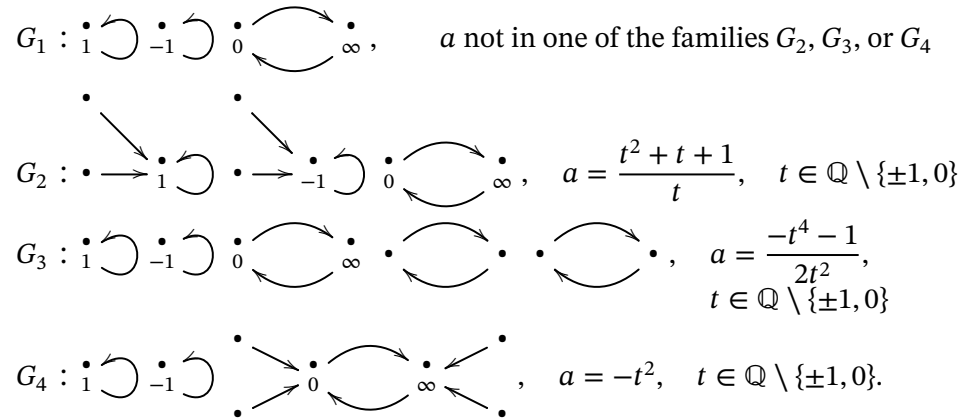
$$(0 : 1 : 0), (1 : 0 : 0), (-1 : 1 : 1), (1 : -1 : 1),$$

where the first coordinate is a , the second x , and the third a homogenizing variable. All these points are singular points. When we blow them up, $(0 : 1 : 0)$ blows up to be two rational points, $(1 : 0 : 0)$ blows up to be two rational points, $(-1 : 1 : 1)$ becomes a single point that is not rational, and $(1 : -1 : 1)$ also becomes a point that is not rational. Thus, we have found all four rational points in the smooth projective model of Y . We only lift the affine rational point $(-1, 1)$ since $(1, -1)$ has $x = -1$ and we replaced x^2 with x to get from X to Y . This point has $a = 1$, which is degenerate. Thus, there is no choice of $a \in \mathbb{Q}$ for which $f_a(z)$ has a \mathbb{Q} -rational 3-cycle. \square

A search for rational preperiodic structures with the parameter up to height 10,000 using the algorithm from [Hut15] as implemented in Sage yields no parameters when $f_a(z)$ has a \mathbb{Q} -rational periodic point with minimal period at least 4.

Conjecture 6.11. There are no $a \in \mathbb{Q}$ such that $f_a(z) = \frac{az^2+1}{z^3+az}$ has a \mathbb{Q} -rational periodic point of minimal period at least 4.

Theorem 6.12. Assuming Conjecture 6.11, the possible rational preperiodic structures for $f_a(z) = \frac{az^2+1}{z^3+az}$ for $a \in \mathbb{Q}$ are the following.



Proof. Proposition 6.10 combined with Conjecture 6.11 classifies the \mathbb{Q} -rational periodic structures. For preperiodic structures, we start by looking for non-periodic rational preimages of the fixed points. Recall from Proposition 6.10 that for every $a \in \mathbb{Q}$, $f_a(z)$ has exactly two \mathbb{Q} -rational fixed points ± 1 . Observe that if $f_a(z) = 1$, then $f_a(-z) = -1$, so it suffices to consider the preimages of 1. To have $f_a(z) = 1$, we must have $(az^2 + 1) - (z^3 + az) = 0$. This defines a reducible curve over \mathbb{Q} , and the irreducible components are

$$z - 1 = 0 \quad \text{and} \quad az - z^2 - z - 1 = 0.$$

We only need to consider the second component. This component is linear in a so we solve as

$$a = \frac{t^2 + t + 1}{t} \quad t \notin \{0, \pm 1\}.$$

We exclude $t \in \{0, -1\}$ for degenerate a values and $t = 1$ is the fixed point as its own preimage. Thus, for every $t \in \mathbb{Q} \setminus \{\pm 1, 0\}$, we can find an a such that 1 has a non-periodic \mathbb{Q} -rational preimage under $f_a(z)$. Since $z \mapsto \frac{1}{z}$ is an automorphism of $f_a(z)$, if $f_a(z) = 1$, then $f_a(1/z) = 1$. Furthermore, since this irreducible component is quadratic, it can have at most two rational points. Thus, the two rational points must be z and $1/z$.

Now we look for a second non-periodic rational preimage of 1, i.e., a $z \in \mathbb{Q}$ with $f_a^2(z) = 1$. We need to find (rational) solutions to

$$\begin{aligned} & a^3z^7 + a^4z^5 + z^9 + 3az^7 + 5a^2z^5 + 3a^3z^3 + az^3 + a^2z \\ & - (a^2z^8 + 3a^3z^6 + a^4z^4 + az^6 + 5a^2z^4 + a^3z^2 + 3az^2 + 1) = 0. \end{aligned}$$

This defines a reducible curve over \mathbb{Q} with irreducible components

$$\begin{aligned} 0 &= z - 1 \quad (\text{fixed points}), \\ 0 &= az - z^2 - z - 1 \quad (\text{points satisfying } f_a(z) = 1), \text{ and} \\ 0 &= a^2z^5 + a^3z^3 - a^2z^4 - az^5 - z^6 - a^2z^3 - 2az^4 - a^2z^2 + az^3 + a^2z \\ & \quad - 2az^2 - z^3 - az - 1. \end{aligned}$$

We need only consider the third component. It defines a genus 3 curve, but we can quotient by a C_2 symmetry by identifying (a, z) with $(a, 1/z)$. If we set $t = z + 1/z$, we get the curve after this quotienting as

$$X : t^3 + (-a^2 + a)t^2 + (a^2 + 2a - 3)t - a^3 + 3a^2 - 3a + 1 = 0.$$

This is a genus 1 curve and is birationally equivalent to the elliptic curve

$$X' : y^2 - 2xy + 2y = x^3 - 3x^2 + 2x$$

via the map on projective closures

$$\begin{aligned} x &= 2at^4 + 2a^2t^2h - 8at^3h - 8a^2th^2 + 4at^2h^2 - 8t^3h^2 + 16ath^3 \\ & \quad + 26t^2h^3 - 8th^4 \\ y &= 2at^4 + 4t^4h - 2a^3h^2 + 2a^2th^2 - 26at^2h^2 \\ & \quad - 14t^3h^2 - 26a^2h^3 + 36ath^3 - 6t^2h^3 + 58ah^4 + 90th^4 - 30h^5 \\ z &= -t^5 + 2t^4h. \end{aligned}$$

We compute that X' has rank 0 and its torsion subgroup has order 6. Thus, there are at most six non-singular rational points on X . Searching using height bound 1000 on the projective closure produces

$$\begin{aligned} (a, t, h) \in \{ & (-1 : -2 : 1), (3 : 2 : 1), (0 : 1 : 0), (1 : 0 : 0), \\ & (1 : 0 : 1), (-1 : 2 : 1) \}, \end{aligned}$$

where h is a homogenizing variable. The curve X has singular points $(1 : 0 : 1)$ and $(-1 : 2 : 1)$. We blow up the singular points and in the blow up, $(1 : 0 : 1)$ becomes two points, both of which are rational points and $(-1 : 2 : 1)$ becomes one closed point which is not rational. Thus, the above list is complete since we have found six rational points. Now we need to lift these rational points back to the original curve. Recall that $t = z + 1/z$, so we can solve for z . Only $t = \pm 2$ produces rational points, but $t = \pm 2$ lifts back to $z = \pm 1$, which are fixed points. Thus, there is no $a \in \mathbb{Q}$ such that $f_a^2(z) = 1$ and $f_a(z) \neq 1$ for some $z \in \mathbb{Q}$.

Now we look at non-periodic preimages of the 2-cycle comprised of 0 and ∞ . First consider if there is an a such that $f_a(z) = 0$. It suffices to look at $f_a(z) = 0$ since if $f_a(z) = \infty$, we have $f_a(1/z) = 0$ due to the automorphism $z \mapsto 1/z$. Solving $az^2 + 1 = 0$, we get $z = \pm\sqrt{\frac{-1}{a}}$. Thus, as long as $a = -k^2$ for some $k \in \mathbb{Q}$, we have $f_a(z) = 0$ for two \mathbb{Q} -rational z values.

Now we consider non-periodic second preimages: $f_a^2(z) = 0$ for some z such that $f_a(z) \neq 0$. We need to find rational solutions to the equation

$$a^3z^7 + a^4z^5 + z^9 + 3az^7 + 5a^2z^5 + 3a^3z^3 + az^3 + a^2z = 0.$$

This equation defines a reducible curve over \mathbb{Q} . The irreducible components are

$$\begin{aligned} z &= 0 \\ z^2 + a &= 0 \\ a^3z^4 + z^6 + 2az^4 + 3a^2z^2 + a &= 0. \end{aligned} \tag{10}$$

The first two components correspond to $f_a(z)$ being the point at infinity, so we only need to study the third component. It has genus 3, but observe that it covers a genus 1 curve:

$$X : a^3x^2 + x^3 + 2ax^2 + 3a^2x + a = 0.$$

This curve is birationally equivalent to the elliptic curve

$$E : y^2 + 8xy + 2y = x^3 - 12x^2 - 4x$$

via the map (of projective closures)

$$\begin{aligned} x &= 2a^2x^4 - 4a^2x^3h + 4ax^4h - 6a^2x^2h^2 + 8ax^3h^2 + 8x^4h^2 - 12ax^2h^3 \\ &\quad + 4x^3h^3 - 16axh^4 - 10x^2h^4 - 8xh^5 - 2h^6 \\ y &= -4a^2x^4 - 8ax^4h + 36a^2x^2h^2 - 32ax^3h^2 - 12x^4h^2 + 8ax^2h^3 - 32x^3h^3 \\ &\quad + 96axh^4 + 36x^2h^4 + 32xh^5 + 8h^6 \\ z &= -x^5h - 3x^4h^2 - 2x^3h^3 + 2x^2h^4 + 3xh^5 + h^6, \end{aligned}$$

where h and z are the homogenizing variables of X and E , respectively. The curve E has rank 0 and its torsion subgroup has order 6. Searching with a height

bound 1000 on the projective closure, we find five rational points on X :

$$(a, x, h) \in \{(0 : 1 : 0), (0 : 0 : 1), (1 : 0 : 0), (-1 : 1 : 1), (1 : -1 : 1)\}.$$

Among these five points, four of them are singular points:

$$(1 : -1 : 1), (-1 : 1 : 1), (0 : 1 : 0), (1 : 0 : 0).$$

The first point blows up to be two rational points, the second blows up to be two rational points, and the third blows up to be one rational point. The last one blows up to a closed point, but that point is not rational. Thus, we have found all six points on the projective smooth model of X , and the list must be complete. Recall that we cannot have $a = 1$ or -1 , and we only look at affine rational points. Thus, the only rational point on the projective closure of X that we care about is $(0 : 0 : 1)$. It lifts to $(0 : 0 : 1)$ on the third irreducible component in equation (10), but $z = 0$ is a periodic point. Therefore, we can conclude that there is no $a \in \mathbb{Q}$ such that $f_a^2(z) = 0$ and $f_a(z) \neq 0$.

Now we look for non-periodic preimages of one of the other possible rational 2-cycles. In particular, if we can find an $a \in \mathbb{Q}$ such that $f_a(z)$ enters into a 2-cycle that is not the $0-\infty$ cycle. Recall from component (9) of the second dynatonic curve in the proof of Proposition 6.10 that we need $a = \frac{-t^4-1}{2t^2}$ for $t \in \mathbb{Q} \setminus \{\pm 1, 0\}$ to have extra 2-cycles. Furthermore, we can compute the $(1, 2)$ generalized dynatonic polynomial characterizing points with formal period $(1, 2)$, (see Hutz [Hut15, Section 3]) as

$$\begin{aligned} \Phi_{(1,2)}^*(f_a) &= (z^2 + a)(az^2 + 1)(z^8 + (2a^3 + 2a)z^6 + (a^4 + 6a^2 - 1)z^4 \\ &\quad + (2a^3 + 2a)z^2 + 1). \end{aligned}$$

When we set $a = \frac{-t^4-1}{2t^2}$, the irreducible components of $\Phi_{(1,2)}^*(f_a)$ become

$$\begin{aligned} zt^4 - 2z^2t + 2t^3 - z &= 0 \\ zt^4 + 2z^2t - 2t^3 - z &= 0 \\ 2z^2t^3 - zt^4 + z - 2t &= 0 \\ 2z^2t^3 + zt^4 - z - 2t &= 0 \\ 2z^2t^2 - t^4 - 1 &= 0 \\ z^2t^4 + z^2 - 2t^2 &= 0. \end{aligned}$$

The first four are quadratic in z and all have discriminant $t^8 + 14t^4 + 1$. So rational points occur when there are rational points on the curve

$$C : k^2 = t^8 + 14t^4 + 1.$$

This covers the curve

$$E : y^2 = x^4 + 14x^2 + 1,$$

via the substitution $y = k, x = t^2$. The curve E is birational via

$$(x, y, z) \mapsto (2x^2z + 2yz^2 + 14z^3, 4x^3 + 4xyz + 28xz^2, z^3)$$

to the rank 0 elliptic curve $y^2 = x^3 - 28x^2 + 192x$ with torsion subgroup isomorphic to $\mathbb{Z}/2\mathbb{Z} \times \mathbb{Z}/4\mathbb{Z}$. A point search gives the eight points

$$(0 : 1 : 0), (0 : 0 : 1), (8 : 16 : 1), (8 : -16 : 1), (12 : 0 : 1), (16 : 0 : 1), \\ (24 : 48 : 1), (24 : -48 : 1).$$

The curve E has the seven rational points

$$(-1 : 4 : 1), (0 : -1 : 1), (0 : 1 : 0), (1 : -4 : 1), (-1 : -4 : 1), \\ (1 : 4 : 1), (0 : 1 : 1),$$

where $(0 : 1 : 0)$ is singular and blows up to two rational points. On the original curve C , we find the same seven rational points

$$(-1 : 4 : 1), (0 : -1 : 1), (0 : 1 : 0), (1 : -4 : 1), (-1 : -4 : 1), \\ (1 : 4 : 1), (0 : 1 : 1).$$

These all have $t \in \{\pm 1, 0\}$ so correspond to degenerate cases. The last two components are both birational to the same rank 0 elliptic curve, $y^2 + 2xy = x^3 - 4x^2 + 2x$, with torsion subgroup isomorphic to $\mathbb{Z}/2\mathbb{Z} \times \mathbb{Z}/2\mathbb{Z}$, so they have at most four rational points. In both cases, we have the rational points $(x, t) = (\pm 1, \pm 1)$. Since $t = \pm 1$ are degenerate cases, these components do not have any rational points. Thus, we cannot have $f_a(z)$ entering a 2-cycle that is not the $0-\infty$ cycle.

Now that we have identified each of the separate possible components of the rational preperiodic structure, we need to consider which of these components can occur simultaneously. First we ask if 0 can have a non-periodic rational preimage at the same time there are the additional 2-cycles. Recall that we need $a = -k^2$ for some $k \in \mathbb{Q}$ to have $f_a(z) = 0$ and we need $a = \frac{-t^4-1}{2t^2}$ to have extra 2-cycles. Thus, we are looking for rational points on the curve

$$X : t^4 + 1 - 2k^2t^2 = 0.$$

This is a genus 1 curve that is birationally equivalent to the elliptic curve

$$E : y^2 + 2xy = x^3 - 4x^2 + 2x$$

via the map (of projective closures with h and z the homogenizing variables of X and E , respectively)

$$x = 2kt^2 + 2t^3 - 2kth - 4t^2h + 4th^2 - 2h^3$$

$$y = -4kt^2 - 4t^3 + 4t^2h - 4th^2$$

$$z = t^3 - 3t^2h + 3th^2 - h^3.$$

This elliptic curve E has rank 0 with torsion subgroup of order 4. Searching with a height bound 1000 on the projective closure, we find five rational points on X :

$$(k : z : h) \in \{(1 : 1 : 1), (1 : 0 : 0), (-1 : 1 : 1), (1 : -1 : 1), (-1 : -1 : 1)\},$$

where h is a homogenizing variable. Only one of these points is singular, so we know this is a complete list of rational points. The affine rational points force $z = \pm 1$, which are fixed points. Thus, we cannot have $f_a(z) = 0$ and extra 2-cycles at the same time.

Now we check if both the fixed points and the $0 - \infty$ 2-cycle can have non-periodic rational preimages at the same time. Recall that we need $a = -k^2$ for some $k \in \mathbb{Q}$ to have $f_a(z_1) = 0$ and we need $a = \frac{t^2+t+1}{t}$ for some $t \neq 0, \pm 1 \in \mathbb{Q}$ to have $f_a(z_2) = 1$. Thus, we are interested in the following curve

$$X : t^2 + t + 1 + k^2t = 0.$$

This is a nonsingular curve of genus 1 that is birational to the elliptic curve

$$E : y^2 = x^3 - 4x^2 + 16x,$$

via the map

$$\begin{aligned} x &= 4kt \\ y &= 8t^2 + 8th + 8h^2 \\ z &= -kh, \end{aligned}$$

where k and z are the homogenizing variables of X and E , respectively. This curve E has rank 0 and a torsion subgroup of order 4. Searching using height bound 1000 on the projective closure, we find four rational points on X :

$$(k, t, h) \in \{(0 : 1 : 0), (1 : 0 : 0), (1 : -1 : 1), (-1 : -1 : 1)\}.$$

The affine points all have t in the excluded set $\{0, \pm 1\}$. Thus, we can conclude that there is no a such that $f_a(z_1) = 0$ and $f_a(z_2) = 1$.

Next we check if we can have additional 2-cycles as well as non-periodic preimages of the fixed points. Recall that we need $a = \frac{t^2+t+1}{t}$ to have $f_a(z) = 1$ and we need $a = -\frac{k^4+1}{2k^2}$ to have extra 2-cycles. Thus, we need to find rational points on the curve

$$X : (t^2 + t + 1)(2k^2) = (k^4 + 1)(-t).$$

This is a genus 1 curve that is birationally equivalent to the elliptic curve

$$E : y^2 = x^3 + 3x^2 + 2x$$

via the map

$$\begin{aligned} x &= 2tkh + 2kh^2 \\ y &= -2k^2h - 2th^2 \\ z &= k^3 - kh^2, \end{aligned}$$

where h and z are the homogenizing variables of X and E , respectively. This curve E has rank 0 and the torsion subgroup has order 4. Searching using height

bound 1000 on the projective closure, we find five rational points on the curve X :

$$(t, k, h) \in \{(0 : 1 : 0), (0 : 0 : 1), (1 : 0 : 0), (-1 : 1 : 1), (-1 : -1 : 1)\}.$$

Among these five points, three of them are singular

$$\{(-1 : -1 : 1), (-1 : 1 : 1), (1 : 0 : 0)\}.$$

The points $(-1 : -1 : 1)$ and $(-1 : 1 : 1)$ blow up to be closed points that are not rational. The point $(1 : 0 : 0)$ blows up to two rational points. Thus, this search produces all the rational points on X . Considering only the affine points, we have either $k = 0$ or $a = -1$. Thus, there is no (valid) a such that we can have extra 2-cycles and $f_a(z) = 1$.

We have exhausted all possibilities for rational preperiodic structures, leaving only those enumerated in the statement. \square

6.4. $\mathcal{A}_3(D_2)$ Second Component. Now we look at the family with D_2 symmetry $g_a(z) = \frac{az^2-1}{z^3-az}$. We first consider the possible rational periodic points.

Proposition 6.13. Let $g_a(z) = \frac{az^2-1}{z^3-az}$ for $a \neq \pm 1$.

- (1) For every $t \in \mathbb{Q} \setminus \{0, \pm 1\}$, the value $a = \frac{t^4+1}{2t^2}$ satisfies $g_a(z)$ has the four fixed points $\{\pm t, \pm \frac{1}{t}\}$. For no other values of $a \in \mathbb{Q}$ does $g_a(z)$ have a \mathbb{Q} -rational fixed point.
- (2) For every $a \in \mathbb{Q} \setminus \{\pm 1\}$, the function $g_a(z)$ has exactly two 2-cycles with \mathbb{Q} -rational points: swapping 0 and ∞ and swapping 1 and -1 .
- (3) There is no $a \in \mathbb{Q}$ so that $g_a(z)$ has a 3-cycle with \mathbb{Q} -rational points.

Proof. The first dynatomic polynomial is

$$\Phi_1^*(g_a) = -z^4 + 2az^2 - 1.$$

This polynomial is linear in a , so it has a zero when $a = \frac{z^4+1}{2z^2}$. Thus, for every $z \in \mathbb{Q}$, we can find an a such that z is a fixed point. Once z is a fixed point, we know from the automorphism group that $-z, \frac{1}{z}$ and $-\frac{1}{z}$ are all fixed points. Furthermore, for every a , the first dynatomic polynomial has at most four zeros, so $z, -z, \frac{1}{z}$ and $-\frac{1}{z}$ are all the fixed points.

Now we look for 2-cycles with \mathbb{Q} -rational points. The second dynatomic polynomial is given by

$$\Phi_2^*(g_a) = (-a^2 + 1)z^5 + (a^2 - 1)z = (1 - a^2)z(z - 1)(z + 1)(z^2 + 1).$$

Since $a = \pm 1$ are degenerate cases, we see that the roots of $\Phi_2^*(g_a)$ do not depend on a and every member of the family g_a has exactly two 2-cycles with \mathbb{Q} -rational points: swapping 0 and ∞ and swapping 1 and -1 .

Now we look for 3-cycles with \mathbb{Q} -rational points. The third dynatomic polynomial is

$$\begin{aligned} \Phi_3^*(g_a) = & -z^{24} + (a^5 + 4a^3 + 7a)z^{22} + (-a^8 - 13a^6 - 24a^4 - 29a^2 + 1)z^{20} \\ & + (7a^9 + 48a^7 + 91a^5 + 76a^3 - 2a)z^{18} \\ & + (-11a^{10} - 102a^8 - 214a^6 - 168a^4 + a^2 - 1)z^{16} \\ & + (6a^{11} + 103a^9 + 348a^7 + 304a^5 + 30a^3 + a)z^{14} \\ & + (-a^{12} - 44a^{10} - 289a^8 - 470a^6 - 111a^4 - 10a^2 + 1)z^{12} \\ & + (6a^{11} + 103a^9 + 348a^7 + 304a^5 + 30a^3 + a)z^{10} \\ & + (-11a^{10} - 102a^8 - 214a^6 - 168a^4 + a^2 - 1)z^8 \\ & + (7a^9 + 48a^7 + 91a^5 + 76a^3 - 2a)z^6 \\ & + (-a^8 - 13a^6 - 24a^4 - 29a^2 + 1)z^4 \\ & + (a^5 + 4a^3 + 7a)z^2 - 1. \end{aligned}$$

The dynatomic curve $\Phi_3^*(g_a) = 0$ has genus 31. We can quotient by a C_3 symmetry by identifying (a, z) with $(a, g_a(z))$ and $(a, g_a^2(z))$. Setting $t = z + g_a(z) + g_a^2(z)$, this quotienting produces the following curve:

$$\begin{aligned} X : & t^8 + (-a^5 - 6a^3 - 13a)t^6 + (a^8 + 14a^6 + 46a^4 + 56a^2 + 1)t^4 \\ & + (-4a^9 - 33a^7 - 78a^5 - 69a^3 + 4a)t^2 \\ & + 4a^8 + 12a^6 + 25a^4 + 24a^2 + 16 = 0. \end{aligned}$$

This curve has genus 11. We should be able to quotient by another C_2 symmetry by identifying (a, z) with $(a, \frac{1}{z})$. However, in this curve we have used $t = z + g_a(z) + g_a^2(z)$ so we need to identify (a, t) with (a, t') , where $t' = \frac{1}{z} + \frac{1}{g_a(z)} + \frac{1}{g_a^2(z)}$. We can find the minimal polynomial of $t + t'$, which defines the curve

$$\begin{aligned} Y' : & u^4 + (-a^5 - 2a^4 - 6a^3 - 10a^2 - 13a - 8)u^2 + 4a^6 + 12a^5 + 25a^4 + 36a^3 \\ & + 34a^2 + 24a + 9 = 0. \end{aligned}$$

This curve has genus 5, but we can identify $u^2 = x$ and get

$$\begin{aligned} Y : & x^2 + (-a^5 + 2a^4 - 6a^3 + 10a^2 - 13a + 8)x + 4a^6 - 12a^5 + 25a^4 - 36a^3 \\ & + 34a^2 - 24a + 9 = 0. \end{aligned}$$

The new curve Y has genus 2 so is hyperelliptic. It is birational to the curve

$$H : y^2 = 4x^6 - 12x^5 + 25x^4 - 30x^3 + 25x^2 - 12x + 4$$

via the map

$$\begin{aligned} x &= 1/2a^3 + 3/2a^2 + 3/2a + 1/2 \\ y &= 1/2xa^4 + 2xa^3 + 3xa^2 + 2xa + 1/2x - 1/4a^9 - 3/2a^8 - 5a^7 - 25/2a^6 \\ &\quad - 49/2a^5 - 73/2a^4 - 39a^3 - 55/2a^2 - 45/4a - 2 \end{aligned}$$

$$z = a^2 + 2a + 1,$$

where z is the homogenizing variable of H . The curve H has genus 2 and its Jacobian has rank 0 with torsion subgroup isomorphic to $\mathbb{Z}/6\mathbb{Z} \times \mathbb{Z}/6\mathbb{Z}$. Using Chabauty’s method for rank 0 Jacobians as implemented in Magma yields the six rational points on (the weighted projective closure of) H as

$$(1 : -2 : 0), (1 : 2 : 0), (1 : 2 : 1), (1 : -2 : 1), (0 : 2 : 1), (0 : -2 : 1).$$

A point search up to height bound 1000 yields the points on (the projective closure of) Y :

$$(z, a, h) \in \{(4 : 1 : 0), (0 : -1 : 1), (4 : 1 : 1), (1 : 0 : 0), (36 : 1 : 1)\}.$$

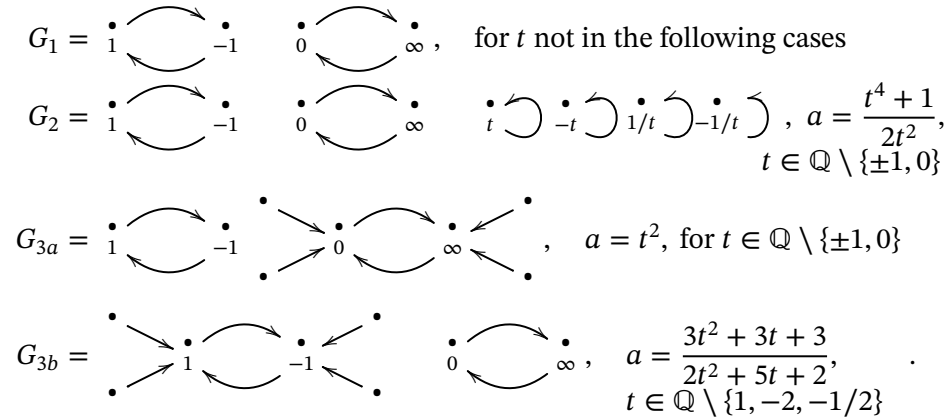
The point $(0 : -1 : 1)$ is a singular point which blows up to two rational points, so these are all the rational points on Y . The affine points all have $a = \pm 1$, which is the degenerate case for this family. So there are no points that corresponds to a rational 3-cycle. \square

A search for rational preperiodic structures with the parameter up to height 10,000 using the algorithm from [Hut15] as implemented in Sage yields no parameters where g_a has a \mathbb{Q} -rational periodic point with minimal period at least 4.

Conjecture 6.14. There are no $a \in \mathbb{Q}$ such that $g_a(z) = \frac{az^2-1}{z^3-az}$ has a \mathbb{Q} -rational periodic point of minimal period at least 4.

Assuming Conjecture 6.14, we classify all rational preperiodic structures.

Theorem 6.15. Assuming Conjecture 6.14, the possible rational preperiodic structures for $g_a(z) = \frac{az^2-1}{z^3-az}$ for $a \in \mathbb{Q}$ are the following.



Proof. We start with non-periodic preimages of fixed points. Recall from Proposition 6.13 that we have the four fixed points $\{\pm t, \pm 1/t\}$ when $a = \frac{t^4+1}{2t^2}$ for some $t \in \mathbb{Q} \setminus \{\pm 1, 0\}$. We want to know if these points can have rational preimages. Because of the automorphisms $z \mapsto 1/z$ and $z \mapsto -z$, it suffices to consider

the preimages of any of the fixed points. Consider the equation $g_a(z) = t$ and substitute $a = \frac{t^4+1}{2t^2}$. The resulting equation factors as

$$-(z - t)(2t^3z^2 + (t^4 - 1)z - 2t).$$

Since t is the fixed point we need only consider the second factor component. Its vanishing defines a genus 3 curve but is quadratic in z , so we have rational solutions when the discriminant, with respect to x , is a square. This gives the curve

$$t^8 + 14t^4 + 1 = k^2.$$

Replacing $u = t^2$, this becomes

$$u^4 + 14u^2 + 1 = k^2.$$

Using the point $(k : u : h) = (1 : 0 : 0)$ as the point at infinity, this is an elliptic curve with model $y^2 = x^3 - 28x^2 + 192x$. This curve has rank 0 and torsion subgroup isomorphic to $\mathbb{Z}/2\mathbb{Z} \times \mathbb{Z}/4\mathbb{Z}$. So the original curve has at most eight rational points. A point search up to height 1000 yields the seven points (on the projective closure)

$$(x : t : h) \in \{(\pm 4 : \pm 1 : 1), (\pm 1 : 0 : 1), (1 : 0 : 0)\},$$

where h is the homogenizing variable. The point $(1 : 0 : 0)$ is singular and blows up to two rational points, so we have found all eight \mathbb{Q} -rational points. The affine points all have t values that are degenerate, so there are no $a \in \mathbb{Q}$ such that $g_a(z)$ has a rational fixed point with a non-periodic rational preimage.

Now we look for non-periodic rational preimages of the points of period 2. Recall that every member of the family has exactly two 2-cycles $\{0, \infty\}$ and $\{1, -1\}$. We want to know if we can have $g_a(z_1) = 0$ or $g_a(z_2) = 1$ with $a, z_1, z_2 \in \mathbb{Q}$. It suffices to look for non-periodic rational preimages of 0 and 1 since preimages of -1 and ∞ are then obtained from the same automorphisms that produce four rational fixed points when there is one. We first look at $g_a(z_1) = 0$. We need to find rational solutions to the equation $az^2 - 1 = 0$. This equation defines a genus 0 curve with rational parameterization

$$t \mapsto (t^2, 1/t) = (a, z).$$

Thus, for every $t \in \mathbb{Q} \setminus \{0\}$, $g_a(1/t) = 0$, where $a = t^2$.

Now we look at $g_a(z_2) = 1$. We need to find rational solutions to the equation $(az^2 - 1) - (z^3 - az) = 0$. This equation defines a reducible curve over \mathbb{Q} and the irreducible components are

$$\begin{aligned} z + 1 &= 0 \\ az - z^2 + z - 1 &= 0. \end{aligned}$$

This first component corresponds to a periodic point, so we only look at the second component. It defines a genus 0 curve with rational parameterization:

$$t \mapsto \left(\frac{3t^2 + 3t + 3}{2t^2 + 5t + 2}, \frac{t + 2}{2t + 1} \right).$$

Thus, for every $t \in \mathbb{Q}$, we can find $a = \frac{3t^2+3t+3}{2t^2+5t+2}$ such that 1 has a non-periodic rational preimage under g_a .

Now we look for non-periodic rational second preimages of 0; i.e., determine if we can have $g_a^2(z_1) = 0$ and $g_a(z_1) \neq 0$ or ∞ with $a, z_1 \in \mathbb{Q}$. We need to find rational solutions to the equation

$$a^3z^7 - a^4z^5 - z^9 + 3az^7 - 5a^2z^5 + 3a^3z^3 + az^3 - a^2z = 0.$$

This equation defines a reducible curve and the irreducible components are

$$\begin{aligned} z &= 0 \\ z^2 - a &= 0 \\ a^3z^4 - z^6 + 2az^4 - 3a^2z^2 + a &= 0. \end{aligned}$$

The first component corresponds to periodic points. The second component corresponds to z such that $g_a(z) = \infty$. Thus, we can just look at the third component. Via the replacement $z^2 \mapsto z$, it covers an elliptic curve:

$$X : a^3z^2 - z^3 + 2az^2 - 3a^2z + a = 0.$$

The elliptic curve X is birationally equivalent to

$$E : y^2 - 8xy - 2y = x^3 - 12x^2 - 4x,$$

via the map

$$\begin{aligned} x &= 2a^2z^4 + 4a^2z^3h + 4az^4h - 6a^2z^2h^2 - 8az^3h^2 + 8z^4h^2 - 12az^2h^3 \\ &\quad - 4z^3h^3 + 16azh^4 - 10z^2h^4 + 8zh^5 - 2h^6 \\ y &= 4a^2z^4 + 8az^4h - 36a^2z^2h^2 - 32az^3h^2 + 12z^4h^2 - 8az^2h^3 - 32z^3h^3 \\ &\quad + 96azh^4 - 36z^2h^4 + 32zh^5 - 8h^6 \\ z &= z^5h - 3z^4h^2 + 2z^3h^3 + 2z^2h^4 - 3zh^5 + h^6, \end{aligned}$$

where h and z are the homogenizing variables of X and E , respectively. This elliptic curve E has rank 0 and its torsion subgroup has order 6. Searching using height bound 1000, we find five rational points on the projective closure of X :

$$(a, z, h) \in \{(1 : 1 : 1), (0 : 1 : 0), (0 : 0 : 1), (1 : 0 : 0), (-1 : -1 : 1)\},$$

where h is a homogenizing variable. Among these five points, $(-1 : -1 : 1)$, $(1 : 1 : 1)$, $(0 : 1 : 0)$, and $(1 : 0 : 0)$ are singular points. The point $(-1 : -1 : 1)$ blows up to be two rational points, point $(1 : 1 : 1)$ blows up to be two rational points, point $(0 : 1 : 0)$ blows up to be one rational point, and point $(1 : 0 : 0)$ blows up to be a closed point that is not rational. Thus, our search has found all the rational points on X . The only affine rational point such that $a \neq \pm 1$ is $(0 : 0 : 1)$. But this corresponds to $z = 0$, which is the periodic point. Thus, there is no $a \in \mathbb{Q}$ such that $g_a^2(z_1) = 0$ and $g_a(z_1) \neq 0$ or ∞ for rational z_1 .

Now we look for non-periodic rational second preimages of 1; i.e., rational z_2 so that $g_a^2(z_2) = 1$ and $g_a(z_2) \neq 1$ or -1 . We need to find rational solutions to the equation

$$\begin{aligned} & a^3z^7 - a^4z^5 - z^9 + 3az^7 - 5a^2z^5 + 3a^3z^3 + az^3 - a^2z \\ & - (-a^2z^8 + 3a^3z^6 - a^4z^4 + az^6 - 5a^2z^4 + a^3z^2 + 3az^2 - 1) = 0. \end{aligned}$$

This equation defines a reducible curve over \mathbb{Q} and the irreducible components are

$$\begin{aligned} 0 &= z - 1 \\ 0 &= az + z^2 + z + 1 \\ 0 &= a^2z^5 - a^3z^3 - a^2z^4 + az^5 - z^6 - a^2z^3 + 2az^4 - a^2z^2 - az^3 + a^2z \\ &+ 2az^2 - z^3 + az - 1. \end{aligned}$$

The first component corresponds to $z = 1$ and the second component to $g_a(z) = -1$. Thus, we focus on the third component. It defines a genus 3 curve. We can quotient by a C_2 action by identifying (a, z) with $(a, 1/z)$. This gives curve

$$X : t^3 + (-a^2 - a)t^2 + (a^2 - 2a - 3)t + a^3 + 3a^2 + 3a + 1 = 0,$$

where $t = z + \frac{1}{z}$. This is a genus 1 curve birational to the elliptic curve

$$E : y^2 - 2xy + 2y = x^3 - 3x^2 + 2x,$$

via the map

$$\begin{aligned} x &= 2at^4 - 2a^2t^2h - 8at^3h + 8a^2th^2 + 4at^2h^2 + 8t^3h^2 + 16ath^3 \\ &- 26t^2h^3 + 8th^4 \\ y &= 2at^4 - 4t^4h - 2a^3h^2 - 2a^2th^2 - 26at^2h^2 + 14t^3h^2 + 26a^2h^3 + 36ath^3 \\ &+ 6t^2h^3 + 58ah^4 - 90th^4 + 30h^5 \\ z &= t^5 - 2t^4h, \end{aligned}$$

where h and z are the homogenizing variables of X and E , respectively. The curve E has rank 0 and its torsion subgroup has six elements. A search for rational points on the projective closure of X using height bound 1000 finds

$$\begin{aligned} (a, t, h) \in \{ & (1 : -2 : 1), (1 : 2 : 1), (0 : 1 : 0), (-1 : 0 : 1), \\ & (1 : 0 : 0), (-3 : 2 : 1) \}, \end{aligned}$$

where h is the homogenizing variable. Among these points, $(-1 : 0 : 1)$ and $(1 : 2 : 1)$ are singular points. The first one blows up to be two rational points, and the second one blows up to be a closed point that is not rational. Therefore, we have found all the rational points on X . Observe that the only affine rational point where $a \neq \pm 1$ is $(-3 : 2 : 1)$. Thus, we need to solve $t = z + 1/z = 2$. The only solution is $z = 1$. Thus, there is no a such that $g_a^2(z_2) = 1$ and $g_a(z_2) \neq 1$ or -1 for rational z_2 .

Next we check if both pairs of 2-cycles can have preperiodic tails at the same time; i.e., if we can have $g_a(z_1) = 0$ and $g_a(z_2) = 1$ with $a, z_1, z_2 \in \mathbb{Q}$. Recall that we need $a = t_1^2$ to have $g_a(z_1) = 0$ and $a = \frac{3t_2^2+3t_2+3}{2t_2^2+5t_2+2}$ to have $g_a(z_2) = 1$. Thus, we need to find rational solutions to

$$C : (3t_2^2 + 3t_2 + 3) - t_1^2(2t_2^2 + 5t_2 + 2) = 0.$$

This defines a genus 1 curve that is birationally equivalent to the elliptic curve

$$E : y^2 = x^3 + 180x^2 + 11664x + 279936$$

via the map

$$\begin{aligned} x &= 54t_2h \\ y &= 108t_1t_2 + 216t_1h \\ z &= -t_2h - 1/2h^2, \end{aligned}$$

where h and z are the homogenizing variables of C and E , respectively. The curve E has rank 0 and its torsion subgroup has order 4. Searching for rational points on the projective closure of X using height bound 1000 produces

$$(t_1, t_2, h) \in \{(0 : 1 : 0), (1 : 0 : 0), (1 : 1 : 1), (-1 : 1 : 1)\},$$

where h is the homogenizing variable. Among these points, $(0 : 1 : 0)$ and $(1 : 0 : 0)$ are singular points. The first one blows up to be two rational points, whereas the second one blows up to be only one closed point that is not rational. Thus, we have found all rational points on X . Checking whether these points produce valid members of the family, we see that $t_2 = 1$ so that $a = t_2^2 = 1$, which produces degeneracy. Thus, we cannot have $g_a(z_1) = 0$ and $g_a(z_2) = 1$ at the same time for rational z_1 and z_2 .

Now we need to ask if we can have rational fixed points at the same time as preperiodic tails for a 2-cycle. Recall that we have rational fixed points if $a = \frac{t^4+1}{2t^2}$ and we have $g_a(z) = 0$ if $a = u^2$ and we have $g_a(z) = 1$ if $a = \frac{3v^2+3v+3}{2v^2+5v+2}$. We first study the curve

$$X : t^4 + 1 - 2u^2t^2 = 0.$$

This defines a genus 1 curve birational to the elliptic curve

$$E : y^2 + 2xy = x^3 - 4x^2 + 2x$$

via the map

$$\begin{aligned} x &= 2t^3 + 2t^2u - 4t^2h - 2tuh + 4th^2 - 2h^3 \\ y &= -4t^3 - 4t^2u + 4t^2h - 4th^2 \\ z &= t^3 - 3t^2h + 3th^2 - h^3, \end{aligned}$$

where h and z are the homogenizing variables of X and E , respectively. The curve E has rank 0 and four rational torsion points. Searching up to height

1000 on the projective closure of X , we find

$$(t, u, h) \in \{(1 : 1 : 1), (0 : 1 : 0), (-1 : 1 : 1), (1 : -1 : 1), (-1 : -1 : 1)\}.$$

The point $(0 : 1 : 0)$ is a singular point and does not blow up to a rational point. Thus, we have found all rational points on X . Note that all the affine points have $t \in \{0, \pm 1\}$ so correspond to either periodic $t = 0$ or to degenerate $t = \pm 1$. Thus, we cannot have a rational preperiodic tail for 0 and rational fixed points at the same time. Now we study the curve

$$X : (t^4 + 1)(2v^2 + 5v + 2) - (3v^2 + 3v + 3)(2t^2) = 0$$

corresponding to a rational preperiodic tail for 1 and rational fixed points at the same time. This curve is genus 1 and is birational to the elliptic curve

$$E : y^2 = x^3 + 9x^2 - 54x - 216$$

via the map

$$\begin{aligned} x &= 9t^2vh + 18t^2h^2 - 15vh^3 - 12h^4 \\ y &= 27t^3v + 54t^3h - 81tvh^2 \\ z &= -vh^3 + h^4, \end{aligned}$$

where h and z are the homogenizing variables of X and E , respectively. The curve E has rank 0, and 4 rational torsion points. Searching using height bound 1000 on the projective closure of X' produces:

$$(t, z, h) \in \{(1 : 1 : 1), (0 : 1 : 0), (0 : -2 : 1), (0 : -1/2 : 1), (1 : 0 : 0), (-1 : 1 : 1)\}.$$

The singular points are

$$\{(-1 : 1 : 1), (1 : 1 : 1), (0 : 1 : 0), (1 : 0 : 0)\}.$$

The points $\{(-1 : 1 : 1), (1 : 1 : 1), (0 : 1 : 0)\}$ blow up to closed points that are not rational. The point $(1 : 0 : 0)$ blows up to two rational points. Thus, we have found all the rational points on X . The only affine rational points have $t \in \{0, \pm 1\}$ which are excluded in this case. Therefore, we cannot have a rational preperiodic tail for 1 and rational fixed points at the same time. \square

6.5. C_2 First Component. We consider the two-parameter family

$$f_{a,b}(z) = \frac{z^3 + az}{bz^2 + 1}.$$

We start by examining the fixed points and 2-periodic points.

Proposition 6.16. For $f_{a,b}(z) = \frac{z^3 + az}{bz^2 + 1}$, we have the following periodic points.

- (1) The points 0 and ∞ are always fixed. There are two additional \mathbb{Q} -rational fixed points for pairs (a, b) parameterized by

$$(a, b) = \left(a, 1 + \frac{a - 1}{t^2} \right) \quad t \neq 0, t^2 \neq -a.$$

The two additional \mathbb{Q} rational fixed points are given by $z = \pm t$.

- (2) The pairs (a, b) for which $f_{a,b}$ has a 2-cycle with \mathbb{Q} -rational points is parameterized by the union of two surfaces.

$$S_1 : (a, b) = \left(a, -1 + \frac{-1-a}{t^2} \right) \quad t \neq 0, t^2 \neq -a$$

$$S_2 : (a, b) = \left(a, -\frac{1}{t^2} - a - t^2 \right) \quad t \neq 0, t^2 \neq -a, t^2 \neq -\frac{1}{a}.$$

For S_1 there is one 2-cycle with points $z = \pm t$. For S_2 there are two 2-cycles with points given by the pairs

$$z \in \left\{ t, -\frac{1}{t} \right\} \quad z \in \left\{ -t, \frac{1}{t} \right\}.$$

These two surfaces intersect on the line $a + b = -2$ and on this line there is one 2-cycle with multiplicity 3 and points $z = \pm 1$.

Proof. We first look at the fixed points. We compute the first dynatonic polynomial as

$$\Phi_1^*(f_{a,b}) = -bz^3 + z^3 + az - z.$$

After removing the component $z = 0$, we set $z = t$ and solve for b in terms of a . This is a rational surface with parameterization given in the statement. To see that there are exactly two fixed points, we substitute the parameterizations of a and b into $\Phi_1^*(f_{a,b})$ to get

$$\Phi_1^*(f_{a,b}) = z(a-1)(t-z)(t+z).$$

From this we see the two new \mathbb{Q} -rational fixed points are $z = \pm t$.





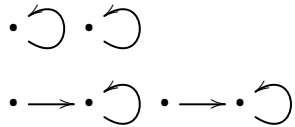
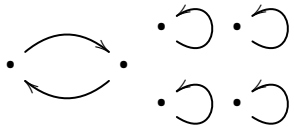
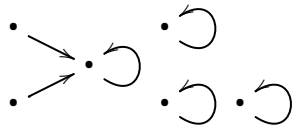


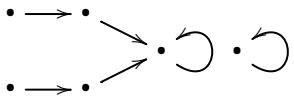
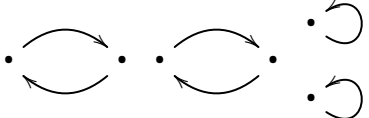
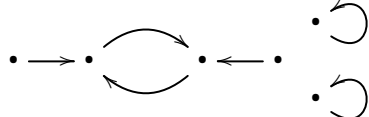
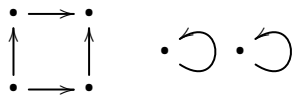
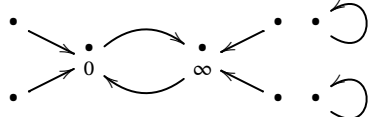
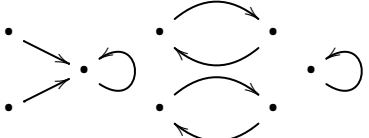
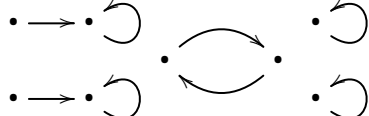
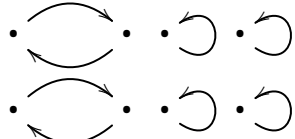
Now we consider the second periodic points via the second dynatonic polynomial

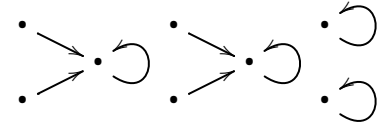
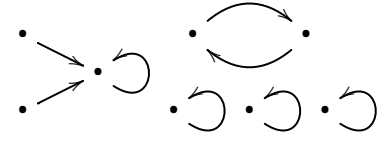
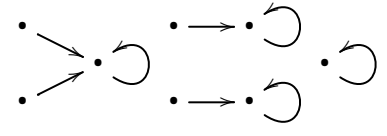
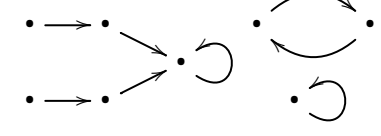
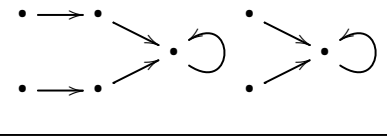
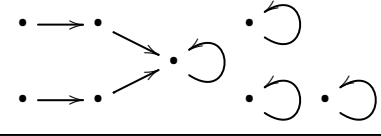
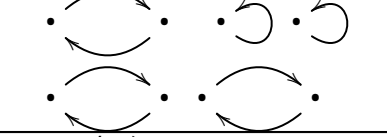
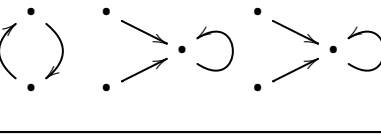
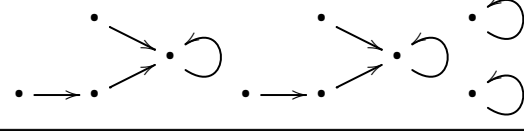

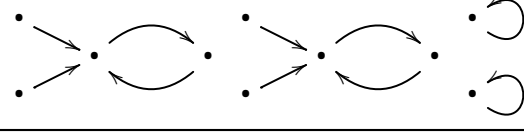

$$\Phi_2^*(f_{a,b}) = (bz^2 + z^2 + a + 1)(z^4 + az^2 + bz^2 + 1).$$

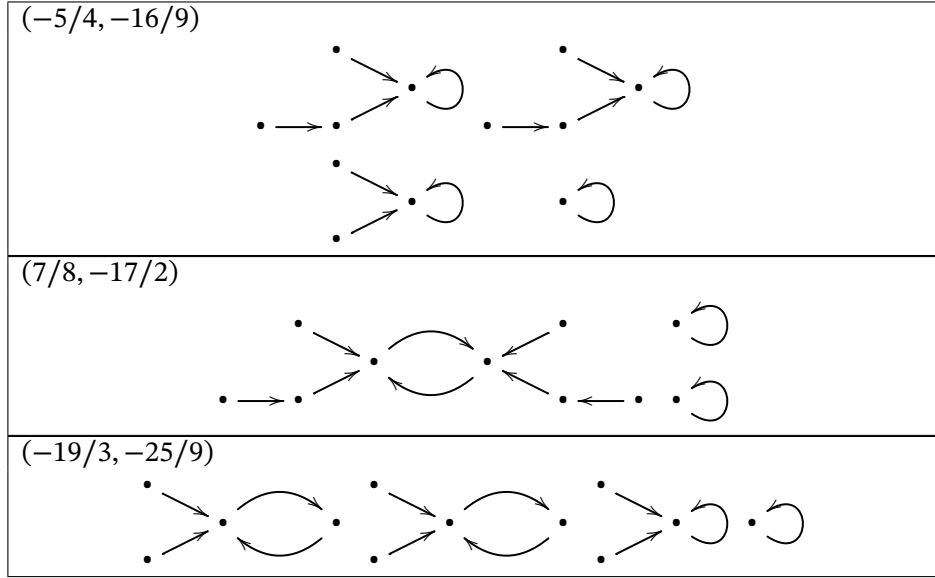
Each component gives the rational surface parameterized by the given parameterization obtained by setting $z = t$ and solving for b in terms of a . The points of period two are obtained by factoring the dynatonic polynomial after substituting in the parameterization of a and b . Their intersection contains two curves: $a + b = -2$ and $ab = 1$, but the second curve is the degenerate pairs (a, b) . \square

Periodic points with higher periods and strictly preperiodic points are difficult to study for this family mainly because computational tools for rational points on surfaces is much less well developed than for curves. Consequently, we content ourselves with a census of \mathbb{Q} -rational preperiodic structures for parameters a and b in \mathbb{Q} with small height. By no means do we think this census is exhaustive; rather, it gives a sense of the diversity of possibilities when there are only C_2 symmetries.

Table: Preperiodic Graphs for $f_{a,b}(z) = \frac{z^3+az}{bz^2+1}$, Labelled by the Pair (a, b)

<p>(0, 1)</p> 	<p>(0, -1)</p> 	<p>(0, 0)</p> 
<p>(0, -2)</p> 		<p>(0, -3)</p> 
<p>(0, -5/4)</p> 	<p>(0, -9/16)</p> 	
<p>(1, -9)</p> 	<p>(-1, -1/4)</p> 	
<p>(-1, -5/2)</p> 	<p>(-1/2, -15/4)</p> 	
<p>(2, -7/4)</p> 	<p>(-7/4, -11/8)</p> 	
<p>(0, -14/3)</p> 	<p>(-1, -13/4)</p> 	
<p>(1/2, -7)</p> 	<p>(-3, -5/4)</p> 	

$(-2/3, -11/4)$ 	$(-3/2, -1/9)$ 
$(-1/4, -11/5)$ 	$(11/4, -16)$ 
$(-1, -25/9)$ 	$(-16/9, -21/4)$ 
$(-17/5, -17/20)$ 	$(-9/25, -25/16)$ 
$(-2, -13/12)$ 	
$(-3, -9/16)$ 	
$(-5/2, -7/4)$ 	
$(4/5, -9/4)$ 	



6.6. C_2 Second Component. We move to the *two*-parameter family

$$g_{a,b}(z) = \frac{az^2+1}{z^3+bz}.$$

We start by examining the fixed points and 2-periodic points.

Proposition 6.17. For $g_{a,b}(z) = \frac{az^2+1}{z^3+bz}$, we have the following periodic points.

- (1) The pairs (a, b) for which $g_{a,b}$ has a \mathbb{Q} -rational fixed point are parameterized by

$$(a, b) = \left(a, -t^2 + a + \frac{1}{t^2} \right),$$

for $t \neq 0$, $t^2 \neq a$, and $t^2 \neq -\frac{1}{a}$. There are exactly two \mathbb{Q} -rational fixed points given by

$$z = \pm t$$

- (2) For every (non-degenerate) pair (a, b) , $g_{a,b}$ has the 2-cycle $0-\infty$. The pairs (a, b) for which there are additional 2-cycles with \mathbb{Q} -rational points are parameterized by

$$(a, b) = \left(a, -t^2 - a - \frac{1}{t^2} \right),$$

for $t \neq 0$, $t^2 \neq -a$, and $t^2 \neq -\frac{1}{a}$. There are exactly two 2-cycles with \mathbb{Q} -rational points given by

$$\{\pm t\} \quad \text{and} \quad \left\{ \pm \frac{1}{t} \right\}.$$

Proof. We first look at the fixed points. The fixed points are given by the equation

$$az^2 + 1 = z^4 + bz^2.$$

Let $z = t$ be a fixed point, we can solve for b in terms of a and t as

$$b = -t^2 + a + \frac{1}{t^2}.$$

This gives the stated parameterization. The omitted t values are those where the map is degenerate. With this parameterization, the first dynatomic polynomial factors as

$$\Phi_1^*(g_{a,b}) = (z - t)(z + t)(z^2 t^2 + 1)$$

so there are two \mathbb{Q} -rational fixed points $\pm t$.

Now we consider the second periodic points via the second dynatomic polynomial

$$\Phi_2^*(g_{a,b}) = z(ab - 1)(z^4 + (a + b)z^2 + 1).$$

We see the periodic 2-cycle $0-\infty$ occurs for every choice of (a, b) . Taking the last factor and setting $z = t$ as a periodic point, we solve for b in terms of t to get

$$b = -t^2 - a - \frac{1}{t^2}.$$

Then additional 2-cycles with \mathbb{Q} -rational points are given by the stated parameterization. The omitted t values are those where the map is degenerate. With this parameterization the second dynatomic polynomial factors as

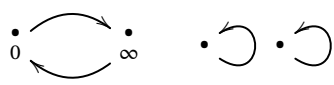
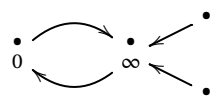
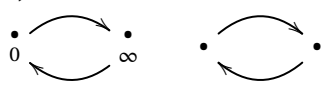
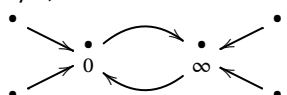
$$z(t - z)(t + z)(-tz + 1)(tz + 1)(t^2 + a)(at^2 + 1).$$

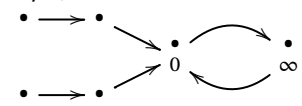
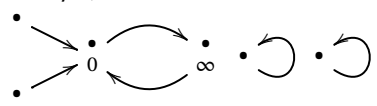
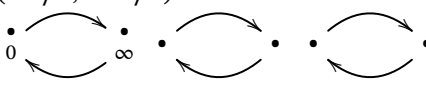
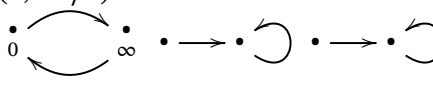
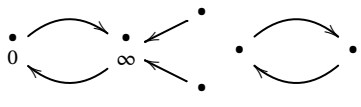
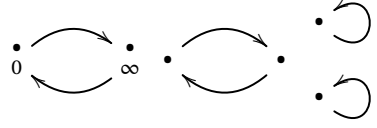
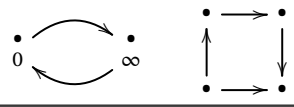
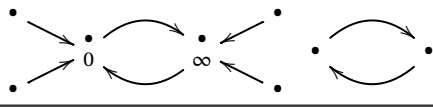
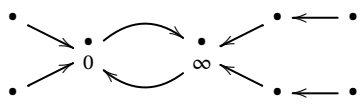
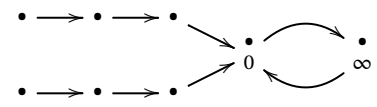
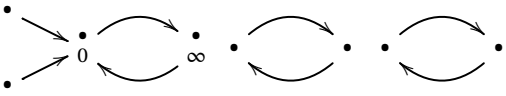
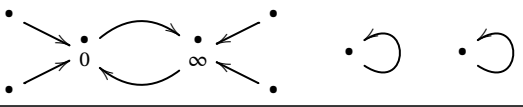
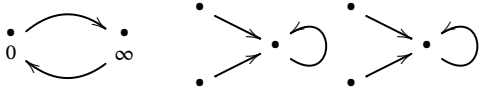
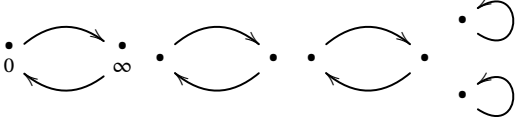
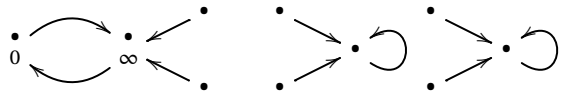
So the additional \mathbb{Q} -rational points of period 2 are $\pm t$ and $\pm \frac{1}{t}$.

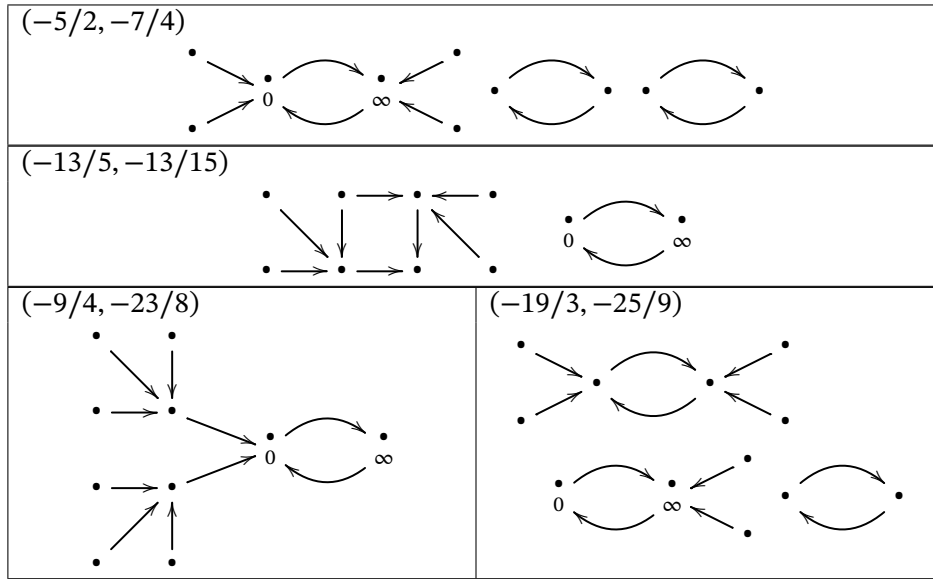
□

Similar to the first 2-parameter family, periodic points with higher periods and (strictly) preperiodic points are difficult to study for this family. Again, we content ourselves with a census of \mathbb{Q} -rational preperiodic structures for parameters a and b with small height. One representative from each isomorphism class as directed graphs is exhibited. The labeling of the points $\{0, \infty\}$ are not part of the graph data. Including those points in the data would add additional possible graph structures, such as having the strictly preperiodic points in $(a, b) = (0, -1)$ occur as preimages of 0 rather than ∞ .

Table: Preperiodic Graphs for $g_{a,b}(z) = \frac{az^2+1}{z^3+bz}$, Labelled by the Pair (a, b)

<p>(0, 0)</p> 	<p>(0, -1)</p> 
<p>(0, -2)</p> 	<p>(-1, -1/4)</p> 

$(-1, -5/2)$ 	$(-1, 11/4)$ 
$(-1/2, -15/4)$ 	$(2, -7/4)$ 
$(2, -4)$ 	$(7/8, -23/8)$ 
$(8/5, -13/10)$ 	$(1/2, -5/2)$ 
$(-9/4, -16)$ 	$(-1, -77/45)$ 
$(-1, -13/4)$ 	
$(-1/4, -1/4)$ 	
$(-3/2, -3/2)$ 	
$(-17/8, -17/8)$ 	
$(3/2, -9/4)$ 	



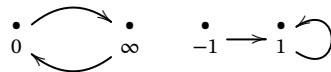
7. Rational Preperiodic Structures in \mathcal{M}_4

In this section, we examine the \mathbb{Q} -rational preperiodic point structures of the families covering \mathcal{A}_4 given in Section 4.

We start with the dimension 0 family.

7.1. The zero dimension loci $\mathcal{A}_4(C_5)$ and $\mathcal{A}_4(D_5)$. Recall from Proposition 4.2 that $\mathcal{A}_4(D_5) = \mathcal{A}_4(C_5)$ are given by the single conjugacy class $f(z) = \frac{1}{z^4}$.

Theorem 7.1. For $\mathcal{A}_4(D_5) = \mathcal{A}_4(C_5)$ the single conjugacy class $f(z) = \frac{1}{z^4}$ has \mathbb{Q} -rational preperiodic structure given by



Proof. Direct computation with the algorithm of Hutz [Hut15] as implemented in Sage. □

7.2. The dimension one family $\mathcal{A}_4(C_4)$. The automorphism locus of $\mathcal{A}_4(C_4)$ is covered by the family $f_k(z) = \frac{z^4+1}{kz^3}$. We start with the periodic points.

Proposition 7.2. We have the following periodic points for $f_k(z) = \frac{z^4+1}{kz^3}$.

- (1) The point ∞ is a fixed point for every k . When $k = 1 + t^4$ for $t \in \mathbb{Q} \setminus \{0\}$, we have exactly two additional \mathbb{Q} -rational fixed points, $\pm \frac{1}{t}$.
- (2) There are two 2-cycles with \mathbb{Q} -rational points for each of the following two families of parameters

$$k = t^2 + t^{-2} \quad \text{for } t \in \mathbb{Q} \setminus \{0, \pm 1\}$$

$$k = -(t^2 + t^{-2}) \quad \text{for } t \in \mathbb{Q} \setminus \{0, \pm 1\}$$

and one 2-cycle for the family

$$k = -(1 + t^4) \quad \text{for } t \in \mathbb{Q} \setminus \{0\}.$$

Furthermore, no \mathbb{Q} -rational value of k appears in more than one of the given parameterizations. In particular, there are at most two 2-cycles with \mathbb{Q} -rational points.

- (3) The only \mathbb{Q} -rational fixed point that occurs in conjunction with a 2-cycle with \mathbb{Q} -rational points is the fixed point ∞ , which occurs for every parameter value.

Proof. Starting with rational fixed points, we can immediately see that ∞ is always a fixed point. The first dynatomic polynomial is $\Phi_1^*(f_k) = (1 - k)z^4 + 1$. Since this is linear in k , there are additional rational fixed points when

$$k = \frac{z^4 + 1}{z^4}.$$

In particular, only two of the four fixed points $\pm z, \pm iz$ are \mathbb{Q} -rational with $z \in \mathbb{Q}$. Substituting $z = \frac{1}{t}$, we get $k = 1 + t^4$.

Next we look for 2-cycles with \mathbb{Q} -rational points. The second dynatomic polynomial is

$$\Phi_2^*(f_k) = (z^4 - kz^2 + 1)(z^4 + kz^2 + 1)((1 + k)z^4 + 1).$$

All three components are linear in k , so we get one-parameter families each of which has two 2-cycles with \mathbb{Q} -rational points.

- (1) The first factor vanishes when $k = \frac{z^4+1}{z^2}$, which for $z = \pm t$ or $z = \pm \frac{1}{t}$ becomes $k = t^2 + t^{-2}$. In this case, there are two 2-cycles with \mathbb{Q} -rational points $\{t, \frac{1}{t}\}$ and $\{-t, -\frac{1}{t}\}$ for $t \in \mathbb{Q} \setminus \{0\}$ except when $t = \pm 1$ where the two 2-cycles collapse to fixed points.
- (2) The second factor vanishes when $k = \frac{z^4+1}{-z^2}$, which for $z = \pm t$ or $z = \pm \frac{1}{t}$ becomes $k = -(t^2 + t^{-2})$. In this case there are two 2-cycles with \mathbb{Q} -rational points $\{t, -\frac{1}{t}\}$ and $\{-t, \frac{1}{t}\}$ for $t \in \mathbb{Q} \setminus \{0\}$ except when $t = \pm 1$ where the two 2-cycles collapse to a single 2-cycle.
- (3) The third factor vanishes when $k = \frac{1+z^4}{-z^4}$, which for $z = \pm \frac{1}{t}$ becomes $k = -(1 + t^4)$. In this case there is one 2-cycle with \mathbb{Q} -rational points $\{\frac{1}{t}, -\frac{1}{t}\}$ for $t \in \mathbb{Q} \setminus \{0\}$.

We must also check if any of these three sets of 2-cycles can occur at the same time. We must find points on the pairwise intersections of the three curves.

- (1) For $k = t_1^2 + t_1^{-2} = -(t_2^2 + t_2^{-2})$ there are two components:

$$\begin{aligned} t_1^2 + t_2^2 &= 0 \\ t_1^2 t_2^2 &= -1 \end{aligned}$$

neither of which has a (valid) \mathbb{Q} -rational point.

- (2) For $k = t_1^2 + t_1^{-2}$ and $k = -(1 + t_3^4)$, we get the genus 5 curve

$$t_1^2 t_3^4 + t_1^4 + t_1^2 + 1 = 0.$$

Substituting $u = t_1^2$ and $v = t_3^2$, this covers the elliptic curve

$$X : uv^2 + u^2 + u + 1 = 0.$$

The curve X is birational to the elliptic curve

$$E : y^2 = x^3 - x^2 + x,$$

via the map

$$(u, v, w) \mapsto (z, y, -x),$$

where w and z are the homogenizing variables of X and E , respectively.

The curve E is rank 0 with torsion subgroup isomorphic to $\mathbb{Z}/4\mathbb{Z}$. The four torsion points are

$$\{(0 : 1 : 0), (1 : 0 : 0), (-1 : 1 : 1), (-1 : -1 : 1)\}.$$

Only the two points $\{(0 : 1 : 0), (1 : 0 : 0)\}$ correspond to rational points on the original curve, and these points do not correspond to valid parameters.

- (3) For $k = -(t_1^2 + t_1^{-2})$ and $k = -(1 + t_2^4)$, we get the genus 5 curve

$$t_1^2 t_2^4 - t_1^4 + t_1^2 - 1 = 0.$$

Substituting $u = t_1^2$ and $v = t_2^2$, this covers the elliptic curve

$$X : uv^2 - u^2 + u - 1 = 0.$$

The curve X is birational to the elliptic curve

$$E : y^2 = x^3 - x^2 + x,$$

via the map

$$(u, v, w) \mapsto (z, -y, x),$$

where w and z are the homogenizing variables of X and E , respectively.

The curve E is rank 0 with torsion subgroup isomorphic to $\mathbb{Z}/4\mathbb{Z}$. The four torsion points are

$$\{(0 : 1 : 0), (1 : 0 : 0), (-1 : 1 : 1), (-1 : -1 : 1)\}.$$

Only the two points $\{(0 : 1 : 0), (1 : 0 : 0)\}$ correspond to rational points on the original curve, and these points do not correspond to valid parameters.

Now we investigate whether we can get rational fixed points other than the point at infinity if we have rational 2-cycles. The first case is when the third factor of $\Phi_2^*(f_k) = 0$ has a solution, so we want to see if $k = -(1 + t^4) = 1 + l^4$ is possible for some rational t and l . This gives the curve

$$2 + l^4 + t^4 = 0,$$

which clearly has no solutions over \mathbb{Q} . Doing the same thing for the second component of $\Phi_2^*(f_k) = 0$ yields

$$t^4 + (1 + l^4)t^2 + 1 = 0.$$

The substitution $x = t^2, y = l^2$ reduces this curve to

$$X : x^2 + (1 + y^2)x + 1 = 0,$$

which is a genus 1 curve with the rational point $(x, y) = (-1, -1)$. We find that this curve is birational to the elliptic curve

$$E : y^2 = x^3 - 16x^2 + 96x - 192 \tag{11}$$

via the map

$$\begin{aligned} x &= 8xy - 8y^2 \\ y &= -8xy - 8y^2 - 8xz + 8yz - 16z^2 \\ z &= xy - y^2 + xz - yz, \end{aligned}$$

where z is the homogenizing variable for both curves. The curve E is a rank 0 elliptic curve with torsion subgroup isomorphic to $\mathbb{Z}/4\mathbb{Z}$. Thus, the curve X has four rational (projective) points, which we find to be $\{(0 : 1 : 0), (1 : 0 : 0), (-1 : 1 : 1), (-1 : -1 : 1)\}$. These points are all nonsingular. The only affine points are $(-1, \pm 1)$. Both of these points have at least one negative coordinate so cannot lift to any points in \mathbb{Q} since we covered by the squaring map. Because there are no rational points on the original curve, there cannot be any rational values of k for which f_k has rational fixed points and rational 2-cycles in this case.

The first factor of $\Phi_2^*(f_k) = 0$ is similar. The curve we get this time is

$$X' : t^4 - (1 + l^4)t^2 + 1 = 0,$$

which differs from the previous case by a minus sign. We can use the same cover by x and y to get that this curve is birational to the same elliptic curve E in equation (11). Again there are only four rational points on the curve X' :

$$\{(1 : 1 : 1), (0 : 1 : 0), (1 : 0 : 0), (1 : -1 : 1)\}.$$

This time we see that one point has two positive coordinates, so the original curve has rational (affine) solutions $\{(1, 1), (1, -1), (-1, 1), (-1, -1)\}$. They all correspond to the value $k = 2$ ($t = \pm 1$), which is the case where the 2-cycles collapse to fixed points. \square

A search for rational preperiodic structures with the parameter up to height 10,000 using the algorithm from [Hut15] as implemented in Sage yields no parameters where f_k has a \mathbb{Q} -rational periodic point with minimal period at least 3.

Conjecture 7.3. There is no $k \in \mathbb{Q}$ such that $f_k(z) = \frac{z^4+1}{kz^3}$ has a \mathbb{Q} -rational periodic point of minimal period at least 3.

Now we look at $z = -\frac{1}{t}$. In this case, we want to solve the equation

$$\frac{z^4 + 1}{(1 + t^4)z^3} = -\frac{1}{t},$$

which is the same as finding rational points on

$$(1 + zt)(z^2t^3 + z^3 - zt^2 + t) = 0.$$

The same transformation as above can be used to get

$$y^2 = -x^3 + x^2 - x,$$

which is also rank 0 with torsion subgroup isomorphic to $\mathbb{Z}/2\mathbb{Z}$. For the same reason, there are three projective rational points but only one corresponds to an affine point. In particular, we again see that $(0, 0)$ is the only \mathbb{Q} -rational solution in z and t , which is invalid. Thus, the extra fixed points never have non-periodic preimages.

We now investigate the case of points in 2-cycles having \mathbb{Q} -rational preperiodic tails. The first case is when $k = -(1 + t^4)$, in which case the points $z = \frac{1}{t}$ and $z = -\frac{1}{t}$ map to each other. Finding rational preimages of these points results in the same equations as solving for preimages of fixed points, which we know do not exist.

The second case is $k = t^2 + t^{-2} = \frac{t^4 + 1}{t^2}$, which has 2-cycles $\{t, \frac{1}{t}\}$ and $\{-t, -\frac{1}{t}\}$. The cases of $f_k(z) = \pm t$ reduce to the curves

$$(zt \pm 1)(z^2t^3 \mp z^3 \pm zt^2 + t) = 0.$$

The first component is the other point in the 2-cycle, so we focus on the second component which is two genus 3 curves isomorphic under $z \mapsto -z$. These curves are the same as analyzed earlier in this proof and the only affine point has $t = 0$, which is degenerate.

Next we look at $f_k(z) = \frac{t^2(z^4 + 1)}{z^3(t^4 + 1)} = \pm \frac{1}{t}$, which give the curves

$$(z \pm t)(z^3t^3 \pm z^2 - zt \pm t^2) = 0.$$

The first component is the other point in the 2-cycle, so we focus on the second component.

This curve is genus 3 and we can quotient by the order 2 automorphism

$$(z, t, h) \mapsto (-z, -t, h)$$

to obtain a genus 1 curve X defined by equations

$$\begin{aligned} -u_2u_3 + u_4^2 &= 0, \\ u_1^2 - u_2u_3 + u_2u_4 + u_3u_4 &= 0. \end{aligned}$$

A point search of low height gives the two \mathbb{Q} -rational points on X

$$\{(0 : -1/9 : -9 : 1), (0 : -1/3 : -3 : 1)\}$$

Using the second point, X is birational to the elliptic curve

$$y^2 = x^3 + x^2 + x,$$

which is rank 0 with torsion subgroup isomorphic to $\mathbb{Z}/2\mathbb{Z}$. So every rational point on the original curve must map to one of these two rational points on X . Using the equations of the quotient map, we find the rational points in the inverse image of each point to get

$$\{(0 : 0 : 1), (0 : 1 : 0), (1 : 0 : 0)\}.$$

The affine point has $t = 0$, which is the degenerate case. Thus, there are no non-periodic rational preimages of the points in any 2-cycle for the given parameterization of k .

The final case is when $k = -(t^2 + t^{-2})$, but it reduces to finding rational points on the same curves as the previous case. □

7.3. $\mathcal{A}_4(\mathbf{D}_3)$. The model for this family is $f_k(z) = \frac{z^4 + kz}{kz^3 + 1}$. We start by classifying periodic points.

Proposition 7.5. For the family $f_k(z) = \frac{z^4 + kz}{kz^3 + 1}$, we have the following \mathbb{Q} -rational periodic points.

- (1) The points 0, 1, and ∞ are fixed points for every choice of $k \in \mathbb{Q} \setminus \{\pm 1\}$. There are no other rational fixed points.
- (2) For $k = t^2 + t + 1 + t^{-1} + t^{-2}$ with $t \in \mathbb{Q} \setminus \{0, \pm 1\}$, $f_k(z)$ has a single 2-cycle with \mathbb{Q} -rational points $\left\{t, \frac{1}{t}\right\}$.

Proof. We start with rational fixed points and see that ∞ is always fixed. For additional \mathbb{Q} -rational fixed points, we consider the first dynatomic polynomial

$$\Phi_1^*(f_k) = (1 - k)z(z - 1)(z^2 + z + 1).$$

Note that $k = 1$ is degenerate since it would lead us to cancelling a factor of $z^3 + 1$ in the function, resulting in a function that is not degree 4. The roots of $z^2 + z + 1 = 0$ are cube roots of unity so are not rational; thus, the fixed points are 0, 1, and ∞ regardless of k .

Looking for 2-cycles with \mathbb{Q} -rational points, we consider the second dynatomic polynomial

$$\begin{aligned} \Phi_2^*(f_k) &= (k + 1)(z^4 + z^3 + (1 - k)z^2 + z + 1) \\ &(z^8 - z^7 + kz^6 + (k + 1)z^5 + (k^2 - 2k - 1)z^4 + (k + 1)z^3 + kz^2 - z + 1). \end{aligned} \quad (12)$$

Looking at the curve $\Phi_2^*(f_k) = 0$, we do not consider the degenerate component $k = -1$. The degree 4 component produces a genus 0 curve since it is linear in k . Solving for k , we get

$$k = t^2 + t + 1 + t^{-1} + t^{-2}$$

for the 2-cycle consisting of $z \in \left\{t, \frac{1}{t}\right\}$. With this parameterization of k values, we look for addition 2-cycles with \mathbb{Q} -rational points by factoring the second dynatomic polynomial

$$\begin{aligned} \Phi_2^*(f_k) &= (t^2 + 1)(t^2 + t + 1)(t - z)(zt - 1)(z^2 + zt + t^2)(z^2t^2 + zt + 1) \\ &\quad (z^2t + z(t^2 + t + 1) + t)(z^4t^2 + z^3(-t^3 - t^2 - t) \\ &\quad + z^2(t^4 + 2t^3 + 2t^2 + 2t + 1) + z(-t^3 - t^2 - t) + t^2). \end{aligned}$$

It remains to be seen that no choice of $t \in \mathbb{Q}$ produces an additional 2-cycle with \mathbb{Q} -rational points. We examine each component in turn. We apply the quadratic equation to the component

$$z^2 + zt + t^2 = 0$$

to have

$$z = \frac{-t \pm t\sqrt{-3}}{2}$$

which is never rational. Similarly for the component

$$z^2t^2 + zt + 1 = 0$$

we get

$$z = \frac{-1 \pm \sqrt{-3}}{2t}$$

which is not rational for $t \in \mathbb{Q}$. For the third quadratic component we also apply the quadratic formula to have

$$z = \frac{-(t^2 + t + 1) \pm \sqrt{t^4 + 2t^3 - t^2 + 2t + 1}}{2t^2}.$$

For z to be rational we need the discriminant to be a square, so we examine the curve

$$X : t^4 + 2t^3 - t^2 + 2t + 1 = \ell^2.$$

This is a genus 1 curve birational to an elliptic curve with Weierstrass model

$$E : y^2 + 2xy + 8y = x^3 + 4x^2$$

via the map

$$\begin{aligned} x &= 2t^2h + 2th^2 + 2\ell h^2 - 2h^3 \\ y &= 4t^3 + 4t^2h + 4t\ell h - 4th^2 \\ z &= h^3, \end{aligned}$$

where h and z are the homogenizing variables of X and E , respectively. The curve E has rank 0 and torsion subgroup isomorphic to $\mathbb{Z}/4\mathbb{Z}$. A rational point search on the projective closure of X yields the three points

$$\{(0 : -1 : 1), (0 : 1 : 0), (0 : 1 : 1)\}.$$

The point $(0 : 1 : 0)$ is singular and blows up to two rational points, so these are all of the rational points on X . These all have $t = 0$ which is $k = 1$, which

is degenerate. The last component (degree four in z) is irreducible over \mathbb{Q} but is reducible over $\mathbb{Q}(\omega)$ where ω is a cube root of unity. We can factor it as

$$z^4 t^2 + z^3(-t^3 - t^2 - t) + z^2(t^4 + 2t^3 + 2t^2 + 2t + 1) + z(-t^3 - t^2 - t) + t^2 = (t^2 z + wtz^2 + tz + (-w - 1)t + z)(t^2 z + (-w - 1)tz^2 + tz + wt + z).$$

Since the curve factors over an extension of \mathbb{Q} , rational points on it must be singular (Lemma 6.4). The \mathbb{Q} -rational singular points are $(t, z) \in \{(-1, -1), (0, 0)\}$ but $t \in \{0, -1\}$ are degenerate cases. Therefore, there is only one 2-cycle with \mathbb{Q} -rational points. Note that $t = 1$ has the 2-cycle collapsing to the fixed point $z = 1$.

Now the degree 8 component of $\Phi_2^*(f_k)$ in (12) is irreducible over \mathbb{Q} but is reducible over $\mathbb{Q}(\omega)$ where ω is a cube root of unity. We can factor it as

$$z^8 - z^7 + kz^6 + (k + 1)z^5 + (k^2 - 2k - 1)z^4 + (k + 1)z^3 + kz^2 - z + 1 = (kz^2 - \omega z^4 + (\omega + 1)z^3 - z^2 - \omega z + \omega + 1)(kz^2 + (\omega + 1)z^4 - \omega z^3 - z^2 + (\omega + 1)z - \omega).$$

Since the curve factors over an extension of \mathbb{Q} , rational points on it must be singular (Lemma 6.4). The \mathbb{Q} -rational singular points are just $(k, x) \in \{(-1, 1), (1, -1)\}$ but $k = \pm 1$ are degenerate cases, so there are no valid \mathbb{Q} -rational points on this component. □

Turning to periodic points of period 3, we look at the vanishing of the third dynatomic polynomial $\Phi_3^*(f_k)$. It has a degree 6 and a degree 54 component. The degree 6 component is given by

$$(k^2 + k + 1)z^6 + (k^2 + 4k + 1)z^3 + k^2 + k + 1 = 0.$$

This is irreducible over \mathbb{Q} , but reducible over $\mathbb{Q}(\omega)$, where ω is a cube root of unity. Since the curve factors over an extension of \mathbb{Q} , rational points on it must be singular (Lemma 6.4). The \mathbb{Q} -rational singular points are $(k, x) \in \{(-1, 1), (1, -1)\}$ but $k = \pm 1$ are degenerate cases, so there are no (valid) rational points on this component. The degree 54 component can be simplified by replacing z^3 with z to have a degree 18 equation in z . This gives a genus 23 curve which is still problematic computationally. The only points of small height on it corresponded to $k = \pm 1$, so are degenerate; however, we are not able to fully analyze this curve.

A search for rational preperiodic structures with the parameter up to height 10,000 using the algorithm from [Hut15] as implemented in Sage yields no parameters $k \in \mathbb{Q}$ where f_k has a \mathbb{Q} -rational periodic point with minimal period at least 3.

Conjecture 7.6. There is no $k \in \mathbb{Q}$ such that $f_k(z) = \frac{z^4 + kz}{kz^3 + 1}$ has a \mathbb{Q} -rational periodic point of minimal period at least 3.

Assuming Conjecture 7.6, we classify the \mathbb{Q} -rational preperiodic structures.

Theorem 7.7. Assuming Conjecture 7.6, the possible \mathbb{Q} -rational preperiodic structures for $f_k(z) = \frac{z^4+kz}{kz^3+1}$ for $k \in \mathbb{Q}$, with possibly finitely many exceptional values of the parameter k , are the following.

$$\begin{aligned}
 G_1 &: \dot{-1} \rightarrow \dot{1} \curvearrowright \dot{0} \curvearrowright \dot{\infty} \curvearrowright, \quad \text{all } k \text{ not in } G_2, G_3, G_4, \text{ or } G_5 \\
 G_2 &: \begin{array}{c} \cdot \\ \searrow \\ \dot{-1} \rightarrow \dot{1} \curvearrowright \dot{0} \curvearrowright \dot{\infty} \curvearrowright \\ \downarrow \\ \cdot \end{array}, \quad k = t + t^{-1} \text{ for } t \in \mathbb{Q} \setminus \{0, \pm 1\} \\
 G_3 &: \dot{-1} \rightarrow \dot{1} \curvearrowright \cdot \rightarrow \dot{0} \curvearrowright \cdot \rightarrow \dot{\infty} \curvearrowright, \quad k = t^3 \text{ for } t \in \mathbb{Q} \setminus \{0, \pm 1\} \\
 G_4 &: \dot{-1} \rightarrow \dot{1} \curvearrowright \dot{0} \curvearrowright \dot{\infty} \curvearrowright \cdot \curvearrowright \cdot, \quad k = t^2 + t + 1 + t^{-1} + t^{-2} \\
 &\quad \text{for } t \in \mathbb{Q} \setminus \{0, \pm 1\} \\
 G_5 &: \begin{array}{c} \cdot \\ \searrow \\ \dot{-1} \rightarrow \dot{1} \curvearrowright \dot{0} \curvearrowright \dot{\infty} \curvearrowright \\ \nearrow \\ \cdot \end{array}, \quad \text{for } k = \frac{-1-t^4}{t^3+t} \text{ for } t \in \mathbb{Q} \setminus \{0, \pm 1\}.
 \end{aligned}$$

Proof. We start with non-periodic rational preimages of the fixed points. We begin with 0, which amounts to solving $z^4 + kz = 0$, giving us the point $z = -t$ as the preimage of 0 when $k = t^3$. The other non-periodic preimages of 0 are not rational. Similarly, preimages of ∞ come from solutions to $az^3 + 1 = 0$, which are parameterized by $k = t^3$ as well, but the preimage is $z = -\frac{1}{t}$. The other non-periodic preimages of ∞ are not rational. Thus, the parameter $k = t^3$ gives two additional rational points in the preperiodic structure.

Preimages of 1 come from solutions to $f_k(z) = 1$, which gives the curve

$$z^4 - kz^3 + kz - 1 = (z - 1)(z + 1)(z^2 - kz + 1) = 0.$$

The factor of $z - 1$ is expected since 1 is its own preimage. The second factor has $z = -1$ as a rational preimage of 1 for all k . Finally, the last factor is genus 0, so when $k = t + t^{-1}$ the point $z = t$ maps to 1. Furthermore, this image is invariant when we replace t by $\frac{1}{t}$, so in fact there will be two rational points that map to 1 for these values of k . Note that $t = \pm 1$ has the three rational preimages collapsing to a single preimage of the fixed point.

Now we check if we can have additional non-periodic preimages of 1 at the same time as non-periodic preimages of 0 and ∞ . We need values of k such that $k = t + t^{-1} = \ell^3$ for $t, \ell \in \mathbb{Q}$. The curve

$$X : t^2 - t\ell^3 + 1 = 0$$

is a genus 2 hyperelliptic curve with model

$$C : y^2 + x^3y + 1 = 0,$$

obtained by setting $x = \ell$ and $y = -t$. The curve C has a (isomorphic) simplified model

$$C' : y^2 = x^6 - 4$$

whose Jacobian has rank 1 and torsion subgroup isomorphic to $\mathbb{Z}/3\mathbb{Z}$.

Magma's Chabauty method tells us that there are only two rational points on this hyperelliptic curve. However, since the map from the original curve was not an isomorphism, we still have some work to do: we need to investigate the behavior at the singular points. Fortunately, the only singular point on the projective model is $(1 : 0 : 0)$, and an initial search on the projective closure of X finds the rational points $(0 : 1 : 0)$ and $(1 : 0 : 0)$, which are all we expect to have. We need to look at the places of the divisor associated to this singular point. There is only one; because it is of degree 1, we have not missed any rational points. Thus, the only rational points are at infinity, so the affine model has none and we cannot have additional \mathbb{Q} -rational preimages of 1 at the same time as non-periodic \mathbb{Q} -rational preimages of the fixed points 0 and ∞ .

Now we look at non-periodic second preimages of the fixed point 1. First we consider preimages of -1 . We are looking for rational points on the curve

$$z^4 + kz^3 + kz + 1 = 0.$$

This equation is linear in k , so we can solve as $k = \frac{-1-t^4}{t^3+t}$ for $t \in \mathbb{Q} \setminus \{0, \pm 1\}$. With this expression for k the preimages of -1 satisfy

$$(z - 1/t)(z - t)(z^2 + \frac{2t}{t^2 + 1}z + 1) = 0.$$

Then there are at least the two rational preimages $\{t, \frac{1}{t}\}$. Checking the last factor, we need to find rational points on the (genus 1) curve

$$C : (t^2 + 1)z^2 + 2tz + t^2 + 1 = 0.$$

Over $\mathbb{Q}(i)$ it has the rational point $(-i : 0 : 1)$, which produces the Weierstrass model

$$E : y^2 = x^3 + 4x^2 - 64x - 256$$

via the map

$$(x, y, z) = (8it, -32iz, h),$$

where h and z are the homogenizing variables of C and E , respectively. The curve E is rank 0 over $\mathbb{Q}(i)$ with torsion subgroup isomorphic to $\mathbb{Z}/2\mathbb{Z} \times \mathbb{Z}/4\mathbb{Z}$. Taking the inverse image of the eight rational points on E , we get the $\mathbb{Q}(i)$ -rational points on the curve C are

$$\{(0 : 1 : 0), (i : 0 : 1), (1 : 0 : 0), (0 : -i : 1), (0 : i : 1), (-i : 0 : 1)\}.$$

The only \mathbb{Q} -rational value of t is 0, which is not a valid parameter.

There remain a few cases that were unable to be fully resolved resulting in possibly finitely many exceptional k values with larger graph structures. We go through those cases now.

We consider rational preimages of the preimages of -1 . We substitute $k = \frac{-1-t^4}{t^3+t}$ and examine $f(z) = t$ and $f(z) = \frac{1}{t}$. These produce the two genus 11 curves

$$(t^3 + t)z^4 + (t^5 + t)z^3 + (-t^4 - 1)z - t^4 - t^2 = 0$$

and

$$z^4t^4 + z^3t^4 + z^4t^2 - zt^5 + z^3 - t^3 - zt - t = 0,$$

respectively. These curves were not amenable to any of the methods we tried. They have no valid points of small height.

Additional rational preimages of 1 occur for $k = t + t^{-1}$ and are $\{t, \frac{1}{t}\}$. We consider \mathbb{Q} -rational preimages of those additional preimages by looking for rational points on the (genus 6) curve defined by $f_k(z) = t$ with equation

$$tz^4 + (-t^3 - t)z^3 + (t^2 + 1)z - t^2 = 0.$$

This curve is genus 6 and was not amenable to any of the methods we tried. It has no valid points of small height.

Non-periodic \mathbb{Q} -rational preimages of 0 occur for $k = t^3$ and is the single point $\{-t\}$. Non-periodic \mathbb{Q} -rational second preimages of 0 are then given by $f_k(z) = -t$ which is the curve defined by

$$z^4 + t^4z^3 + t^3z + t = 0$$

This curve is genus 8 and was not amenable to any of the methods we tried. It has no valid points of small height.

Non-periodic \mathbb{Q} -rational second preimages of ∞ are equivalent to non-periodic \mathbb{Q} -rational second preimages of 0 under the automorphism $z \mapsto 1/z$.

The existence of a non-periodic \mathbb{Q} -rational preimage of 0 and a \mathbb{Q} -rational second preimage of 1 corresponds $k = t_1^3 = \frac{-1-t_2^4}{t_2^3+t_2}$ and to rational points on the curve

$$t_1^3(t_2^3 + t_2) - (-1 - t_2^4) = 0.$$

This curve is genus 6 and was not amenable to any of the methods we tried. It has no valid points of small height.

The existence of a \mathbb{Q} -rational 2-cycle and a non-periodic \mathbb{Q} -rational preimage of a fixed point corresponds to $k = t_1^3 = t_2^2 + t_2 + 1 + t_2^{-1} + t_2^{-2}$ and to rational points on the curve

$$t_2^2t_1^3 - (t_2^4 + t_2^3 + t_2^2 + t_2 + 1) = 0.$$

This curve is genus 4 and was not amenable to any of the methods we tried. It has no valid points of small height.

It remains to consider non-periodic preimages of points in the 2-cycle. The 2-cycle $\{t, \frac{1}{t}\}$ occurs for $k = t^2 + t + 1 + t^{-1} + t^{-2}$ with $t \in \mathbb{Q} \setminus \{0, \pm 1\}$. By the automorphism $z \mapsto 1/z$, it is equivalent to look at the preimage of either point in the cycle. Looking at preimages of t , we need to find rational points on the genus 6 curve given by $f_k(z) = t$ with equation

$$tz^3 - t(t^3 + t^2 + t + 1)z^2 - (t^3 + t^2 + t + 1)z + t^3 = 0.$$

This curve was not amenable to any of the method we tried. It has no valid points of small height.

All of these unresolved cases are curves of genus at least 4 so can have at most finitely many \mathbb{Q} -rational points, due to Faltings' Theorem. These possible rational points corresponds to the possibly finitely many exceptions in the statement. □

7.4. The locus $\mathcal{A}_4(\mathbf{C}_3)$. This family is given by $f_{k_1, k_2}(z) = \frac{z^4 + k_1 z}{k_2 z^3 + 1}$. We first examine periodic points.

Proposition 7.8. For the family $f_{k_1, k_2}(z) = \frac{z^4 + k_1 z}{k_2 z^3 + 1}$, we have the following \mathbb{Q} -rational periodic points.

- (1) The points 0 and ∞ are fixed for all pairs (k_1, k_2) .
- (2) For $(u, v) \in \mathbb{A}^2(\mathbb{Q})$ and

$$\begin{aligned} k_1 &= u^4 v - u^3 + 1 \\ k_2 &= uv, \end{aligned}$$

$f_{k_1, k_2}(z)$ has one additional rational fixed point $z = u$.

Proof. We look at the first dynatomic polynomial. The points 0 and ∞ are factors for all choices of parameters k_1 and k_2 . The other component is given by

$$(k_2 - 1)z^3 - k_1 + 1 = 0.$$

This forms a rational surface that has the given parameterization. Substituting the parameterization back into $\Phi_1^*(f_{k_1, k_2})$, we see there is one additional fixed point. □

As with the degree 3 families with multiple parameters, periodic points with higher periods and (strictly) preperiodic points were difficult to study. We content ourselves with a census of \mathbb{Q} -rational preperiodic structures for parameters k_1 and k_2 with small height. One representative from each isomorphism class as directed graphs is exhibited. The labeling of the points $\{0, \infty\}$ are not part of the graph data. Including those points in the data would add additional possible graph structures, such as having the rational preimage of ∞ in $(k_1, k_2) = (0, 1)$ occur as a rational preimage of 0.

Table: Preperiodic Graphs for $f_{k_1, k_2}(z) = \frac{z^4 + k_1 z}{k_2 z^3 + 1}$, Labeled by the Pair (k_1, k_2)

(0, 1/2)	(0, 1)	(0, 2)	(0, 0)

(1, -1) 	(1, -3) 	(1/2, -7/4)
(4/3, -8) 	(-5/12, -25/18) 	(5/2, 5/2)
(1/8, 1/8) 	(11/4, 11/4) 	(17/10, 17/10)

7.5. The locus $\mathcal{A}_4(\mathbf{C}_2)$. This family is given by $f_{k_1, k_2, k_3}(z) = \frac{z^4 + k_1 z^2 + 1}{k_2 z^3 + k_3 z}$. The point at infinity is always a fixed point with preimage 0. Additional fixed points are given by the first dynatomic polynomial whose vanishing defines a rational hypersurface

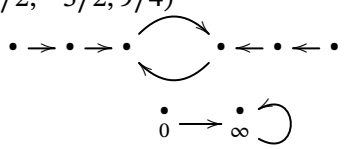
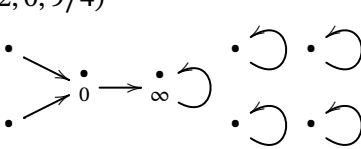
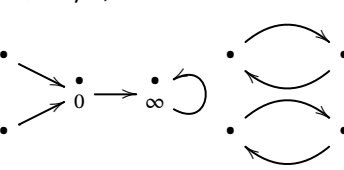
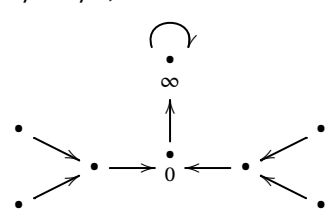
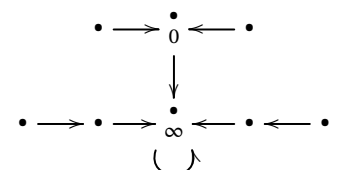
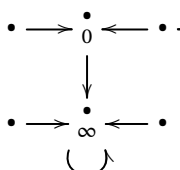
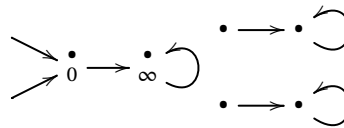
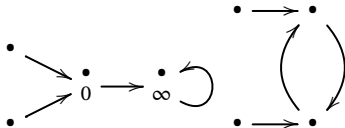
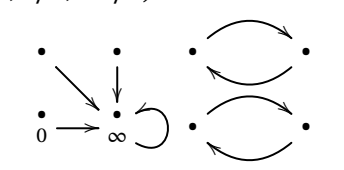
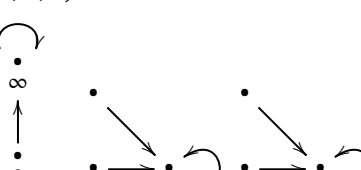
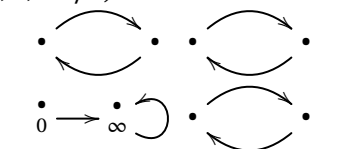
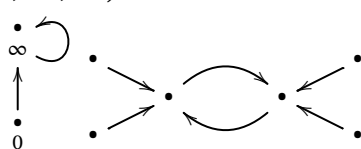
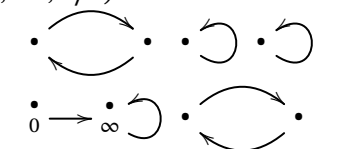
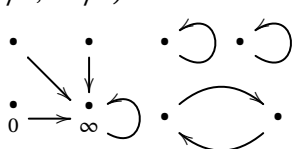
$$\Phi_1^*(f) = (k_2 - 1)z^4 - k_1 z^2 + k_3 z^2 - 1.$$

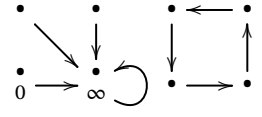
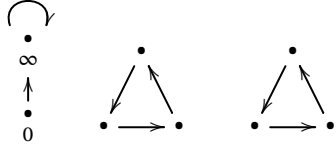
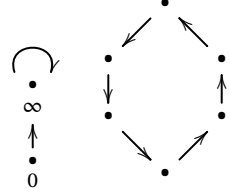
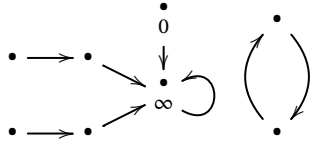
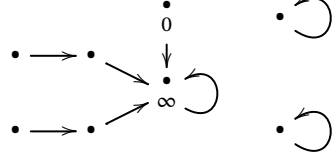
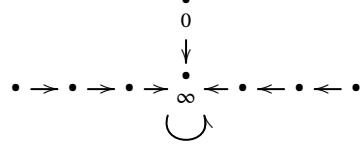
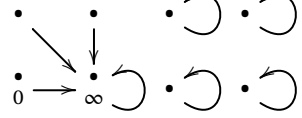
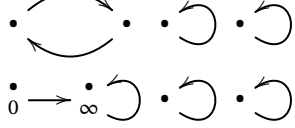
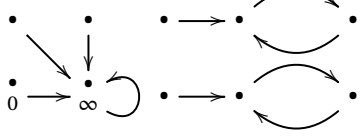
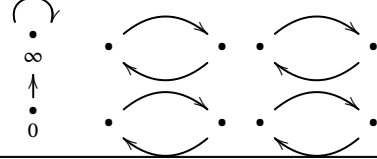
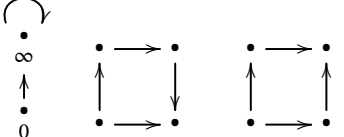
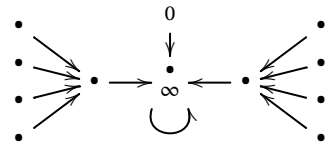
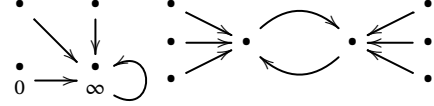
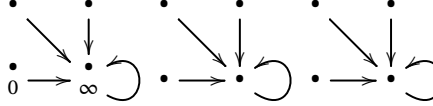
For this family, we again content ourselves with a census of \mathbb{Q} -rational preperiodic structures for parameters k_1, k_2 , and k_3 with small height.

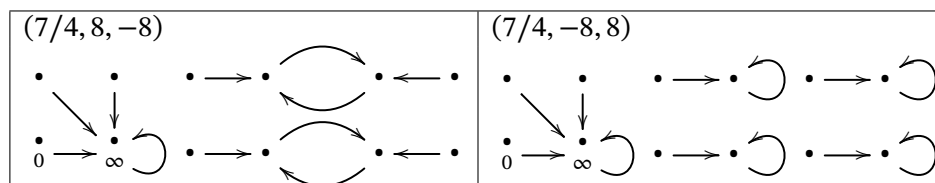
Table: Preperiodic Graphs for $f_{k_1, k_2, k_3}(z) = \frac{z^4 + k_1 z^2 + 1}{k_2 z^3 + k_3 z}$, Labelled by the Triple (k_1, k_2, k_3)

(0, 0, 1) 	(0, 0, 2) 	(0, 0, -2) 	(0, 1, -1)
(-2, 0, 1) 	(0, 1/3, -4/3) 	(0, 3, -5) 	
(0, -3, 5) 	(0, 2/3, -8/3) 	(0, -2/3, 8/3) 	

<p>$(-2, 0, 9/2)$</p>	<p>$(-2, 1, 2)$</p>	<p>$(-2, 1, -1/4)$</p>
<p>$(1, 1, 5)$</p>	<p>$(1, -1, -5)$</p>	
<p>$(-2, 1, -5/2)$</p>	<p>$(1/4, 9, -9/2)$</p>	
<p>$(1/4, 9/4, -9/2)$</p>	<p>$(1, 7, -7)$</p>	
<p>$(1, -7, 7)$</p>	<p>$(1, 7/2, -7/2)$</p>	
<p>$(-1/2, 3, -9/2)$</p>	<p>$(-1/2, -3, 9/2)$</p>	
<p>$(-1/2, 3/2, 3/2)$</p>	<p>$(-1/2, 3/2, -9/4)$</p>	

$(-1/2, -3/2, 9/4)$ 	$(-2, 0, 9/4)$ 
$(-2, 0, -9/4)$ 	$(-2, 1/4, 7/2)$ 
$(-2, 4/5, -5)$ 	$(-2, 6, -3/8)$ 
$(-2, 7, 1/2)$ 	$(-2, -7, -1/2)$ 
$(1/3, 8/3, -3/2)$ 	$(-3, 1, 1)$ 
$(-3, 1, -3/2)$ 	$(-3, -1, -1)$ 
$(-3, -1, 3/2)$ 	$(-3, 1/3, -4/3)$ 

<p>$(-3, 2/3, -1/6)$</p> 	<p>$(-3, 3/2, -1)$</p> 
<p>$(-3, -3/2, 1)$</p> 	<p>$(-3, 4/3, -1/3)$</p> 
<p>$(-3, -4/3, 1/3)$</p> 	<p>$(-3, 1/6, -2/3)$</p> 
<p>$(-4/3, 8/9, -2/9)$</p> 	<p>$(-5/4, -5/4, 2)$</p> 
<p>$(-3/4, 1/6, -8/3)$</p> 	<p>$(-5/4, 5/3, -8/3)$</p> 
<p>$(-5/4, 8/3, -5/3)$</p> 	<p>$(-3/4, 7/3, -7/3)$</p> 
<p>$(-3/4, 7/2, -7/2)$</p> 	<p>$(-3/4, -7/2, 7/2)$</p> 



Notice that there are \mathbb{Q} -rational periodic points of (minimal) period $\{1, 2, 3, 4, 6\}$. Are there \mathbb{Q} -rational points of (minimal) period 5?

8. Concluding Remarks

There are a number of interesting problems that come both directly and indirectly from the results in this paper. We list a few of those here.

- (1) Resolve the conjectures on the existence of periodic points for the various one-dimensional families.
- (2) Determine all the rational points on the high genus curves that were left unresolved in $\mathcal{A}_4(D_3)$.
- (3) Do a full analysis of rational preperiodic points for the two- and three-dimensional families.
- (4) Classify \mathcal{A}_d for $d \geq 5$.
- (5) Use these families for future studies. For example, when looking at the cycle statistics of these families modulo primes, such as the average number of periodic points or the average tail length, the number of rational elements in the automorphism group appears to play a role. We have preliminary statistics on this topic that can be made available upon request.

References

- [BCP97] BOSMA, WIEB; CANNON, JOHN; PLAYOUST, CATHERINE. The magma algebra system. I. The user language. Computational algebra and number theory (London, 1993). *J. Symbolic Comput.*, **24** (1997), no. 3-4, 235–265. MR1484478, Zbl 0898.68039, doi: 10.1006/jsc.1996.0125. 1620
- [BK86] BRIESKORN, EGBERT; KNÖRRER, HORST. Plane algebraic curves. *Birkhäuser Verlag, Basel*, 1986. vi+721 pp. ISBN: 3-7643-1769-8. MR0886476, Zbl 1254.14002, doi: 10.1007/978-3-0348-0493-6. 1655
- [BPS16] BRUIN, NILS; POONEN, BJORN; STOLL, MICHAEL. Generalized explicit descent and its application to curves of genus 3. *Forum Math. Sigma* **4** (2016), Paper No. e6, 80pp. MR3482281, Zbl 1408.11065, doi: 10.1017/fms.2016.1. 1655
- [BT18] BALAKRISHNAN, JENNIFER; TUITMAN, JAN. MAGMA code for Coleman integration and effective Chabauty on general curves. <https://github.com/jtuitman/Coleman> 1657
- [Cha41] CHABAUTY, CLAUDE. Sur les points rationnels des courbes algébriques de genre supérieur à l'unité. *C. R. Acad. Sci. Paris* **212** (1941), 882–885. MR0004484, JFM 67.0105.01. 1657
- [Col85] COLEMAN, ROBERT F. Effective Chabauty. *Duke Math. J.* **52** (1985), no. 3, 765–770. MR0808103, Zbl 0588.14015, doi: 10.1215/S0012-7094-85-05240-8. 1657

- [dFH15] DE FARIA, JOÃO; HUTZ, BENJAMIN. Combinatorics of cycle lengths on Wehler K3 surfaces over finite fields. *New Zealand J. Math.* **45** (2015), 19–31. MR3371156, Zbl 1391.37091, arXiv:1309.6598. 1614, 1616, 1629
- [dFH18] DE FARIA, JOÃO; HUTZ, BENJAMIN. Automorphism groups and invariant theory on \mathbb{P}^N . *J. Algebra Appl.*, **17** (2018), no. 9, 1850162, 38 pp. MR3846410, Zbl 1409.37088, doi: 10.1142/S0219498818501621. 1616
- [DFK14] DOYLE, JOHN R.; FABER, XANDER; KRUMM, DAVID. Preperiodic points for quadratic polynomials over quadratic fields. *New York Journal of Mathematics*, **20** (2014), 507–605. MR3218788, Zbl 1391.37082, arXiv:1309.6401. 1650
- [DS18] DOYLE, JOHN R.; SILVERMAN, JOSEPH H. Moduli spaces for dynamical systems with portraits. *Illinois J. Math.* **64** (2020), no. 3, 375–465. MR4132597, Zbl 1448.37132, doi: 10.1215/00192082-8642523. 1615
- [FMV14] FABER, XANDER; MANES, MICHELLE; VIRAY, BIANCA. Computing conjugating sets and automorphism groups of rational functions. *J. Algebra* **423** (2015), 1161–1190. MR3283753, Zbl 1391.37066, arXiv:1202.5557, doi: 10.1016/j.jalgebra.2014.08.048. 1629
- [FN07] FUJIMURA, MASAYO; NISHIZAWA, KIYOKO. The real multiplier coordinate space of the quartic polynomials. *Nonlinear analysis and convex analysis*, 61–69. *Yokohama Publ., Yokohama*, 2007. MR2286161, Zbl 1110.37012. 1614, 1630
- [Ful08] FULTON, WILLIAM. Algebraic curves. An introduction to algebraic geometry. <http://www.math.lsa.umich.edu/~wfulton/CurveBook.pdf> 1651
- [Hut15] HUTZ, BENJAMIN. Determination of all rational preperiodic points for morphisms of PN. *Math. Comp.* **84** (2015), no. 291, 289–308. MR3266961, Zbl 1392.37104, arXiv:1210.6246, doi: 10.1090/S0025-5718-2014-02850-0. 1648, 1651, 1654, 1662, 1665, 1670, 1682, 1685, 1690
- [Hut19] HUTZ, BENJAMIN. Multipliers and invariants of endomorphisms of projective space in dimension greater than 1. *J. Théor. Nombres Bordeaux* **32** (2020), no. 2, 439–469. MR4174278, Zbl 1454.37097, doi: 10.5802/jtnb.1129. 1624
- [HT13] HUTZ, BENJAMIN; TEPPER, MICHAEL. Multiplier spectra and the moduli space of degree 3 morphisms on \mathbb{P}^1 . *JP J. Algebra Number Theory Appl.*, **29** (2013), no. 2, 189–206. MR3136590, Zbl 1276.37051, arXiv:1110.5082. 1630
- [Kob84] KOBLITZ, NEIL. *p*-adic numbers, *p*-adic analysis, and zeta-function. Graduate Texts in Mathematics, 58. *Springer-Verlag, New York*, 1984. xii+150 pp. ISBN: 0-387-96017-1. MR0754003, Zbl 0364.12015, doi: 10.1007/978-1-4612-1112-9. 1656
- [Lev11] LEVY, ALON. The space of morphisms on projective space. *Acta Arith.* **146** (2011), no. 1, 13–31. MR2741188, Zbl 1285.37020, arXiv:0903.1318, doi: 10.4064/aa146-1-2. 1614
- [LMT14] LEVY, ALON; MANES, MICHELLE; THOMPSON, BIANCA. Uniform bounds for preperiodic points in families of twists. *Proc. Amer. Math. Soc.*, **142** (2014), no. 9, 3075–3088. MR3223364, Zbl 1401.37101, arXiv:1204.4447, doi: 10.1090/S0002-9939-2014-12086-7. 1619
- [Liu06] LIU, QING. Algebraic geometry and arithmetic curves. Oxford Graduate Texts in Mathematics, 6. *Oxford University Press, Oxford*, 2006. xv+577 pp. ISBN 0-19-920249-4. MR1917232, Zbl 1103.14001. 1651
- [Lor96] LORENZINI, DINO. An invitation to arithmetic geometry. Graduate Studies in Mathematics, 9. *American Mathematical Society, Providence, RI*, 1996. xvi+397 pp. ISBN: 0-8218-0267-4. MR1376367, Zbl 0847.14013. 1651
- [Man08] MANES, MICHELLE. \mathbb{Q} -rational cycles for degree-2 rational maps having an automorphism. *Proc. London Math. Soc. (3)* **96** (2008), no. 3, 669–696. MR2407816, Zbl 1213.14048, doi: 10.1112/plms/pdm044. 1615, 1650
- [Mcm87] MCMULLEN, CURTIS. Families of rational maps and iterative root-finding algorithms. *Ann. of Math.* **125** (1987), no. 3, 467–493. MR0890160, Zbl 0634.30028, doi: 10.2307/1971408. 1616

- [Mil17] MILNE, JAMES S. Algebraic geometry. Course notes, 2017, 221 pp. <https://www.jmilne.org/math/CourseNotes/AG.pdf> 1649
- [Mil93] MILNOR, JOHN. Geometry and dynamics of quadratic rational maps. *Experiment. Math.* **2** (1993), no. 1, 37–83. MR1246482, Zbl 0922.58062, doi: 10.1080/10586458.1993.10504267. 1616
- [MS94] MORTON, PATRICK; SILVERMAN, JOSEPH H. Rational periodic points of rational functions. *Internat. Math. Res. Notices* **1994**, no. 2, 97–110. MR1264933, Zbl 0819.11045, doi: 10.1155/S1073792894000127. 1615, 1650
- [MSW14] MIASNIKOV, NIKITA; STOUT, BRIAN; WILLIAMS, PHILLIP. Automorphism loci for the moduli space of rational maps. *Acta Arith.* **180** (2017), no. 3, 267–296. MR3709645, Zbl 1391.37085, arXiv:1408.5655, doi: 10.4064/aa8548-6-2017. 1614, 1615, 1621, 1639, 1640
- [Pon98] POONEN, BJORN. The classification of rational preperiodic points of quadratic polynomials over \mathbb{Q} : a refined conjecture. *Math. Z.* **228**, (1998), no. 1, 11–29. MR1617987, Zbl 0902.11025, arXiv:math/9512217, doi: 10.1007/PL00004405. 1615, 1650
- [Sil95] SILVERMAN, JOSEPH H. The field of definition for dynamical systems on \mathbb{P}^1 . *Compositio Math.* **98** (1995), no. 3, 269–304. MR1351830, Zbl 0849.11090. 1614, 1615, 1616, 1621, 1622, 1626, 1628, 1629, 1640
- [Sil98] SILVERMAN, JOSEPH H. The space of rational maps on P^1 . *Duke Math. J.* **94** (1998), no. 1, 41–77. MR1635900, Zbl 0966.14031, doi: 10.1215/S0012-7094-98-09404-2. 1614, 1616
- [Sil07] SILVERMAN, JOSEPH H. The arithmetic of dynamical systems. Graduate Texts in Mathematics, 241. Springer, New York, 2007. x+511 pp. ISBN: 978-0-387-69903-5. MR2316407, Zbl 1130.37001, doi: <https://doi.org/10.1007/978-0-387-69904-2>. 1623, 1624, 1648
- [SJ05] STEIN, WILLIAM; JOYNER, DAVID. SAGE: system for algebra and geometry experimentation. *SIGSAM Bulletin* **39** (2005), no. 2, 61–64. Zbl 1341.68315, doi: 10.1145/1101884.1101889. <http://www.sagemath.org>. 1620
- [Sto06] STOLL, MICHAEL. Independence of rational points on twists of a given curve. *Compos. Math.* **142** (2006), no. 5, 1201–1214. MR2264661, Zbl 1128.11033, arXiv:math/0603557, doi: 10.1112/S0010437X06002168. 1655
- [Sto08] STOLL, M. Rational 6-cycles under iteration of quadratic polynomials. *LMS J. Comput. Math.* **11** (2008), 367–380. MR2465796, Zbl 1222.11083, arXiv:0803.2836, doi: 10.1112/S1461157000000644. 1654
- [Wes14] WEST, LLOYD W. The moduli space of cubic rational maps. Preprint, 2014. arXiv:1408.3247. 1614

(Brandon Gontmacher) DEPARTMENT OF MATHEMATICS, UNIVERSITY OF MARYLAND, COLLEGE PARK, MD 20742, USA
bgontmac@umd.edu

(Benjamin Hutz) DEPARTMENT OF MATHEMATICS AND STATISTICS, SAINT LOUIS UNIVERSITY, ST. LOUIS, MO 63103, USA
benjamin.hutz@slu.edu

(Grayson Jorgenson) DEPARTMENT OF MATHEMATICS, FLORIDA STATE UNIVERSITY, TALLAHASSEE, FL 32306, USA
gjorgens@math.fsu.edu

(Srinjoy Srimani) DEPARTMENT OF MATHEMATICS, BROWN UNIVERSITY, PROVIDENCE, RI 02912, USA
srinjoy_srimani@brown.edu

(Simon Xu) DEPARTMENT OF MATHEMATICS AND STATISTICS, COLBY COLLEGE, WATERTOWN, MAINE 04901, USA
sxu20@colby.edu

This paper is available via <http://nyjm.albany.edu/j/2021/27-63.html>.